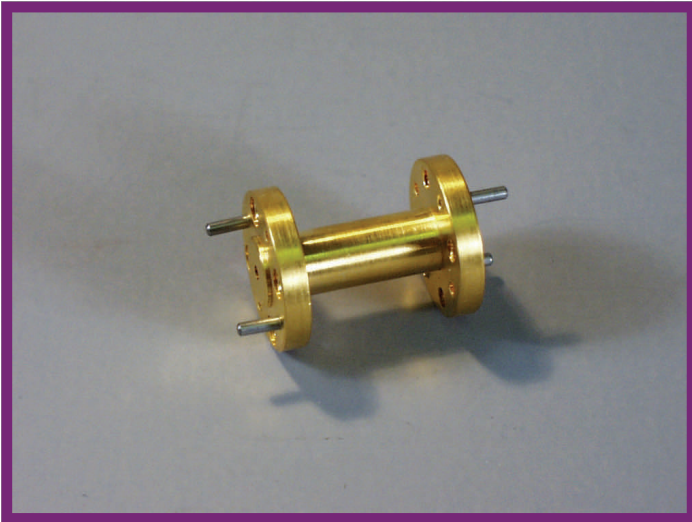


282 Series

Circular Polarizers



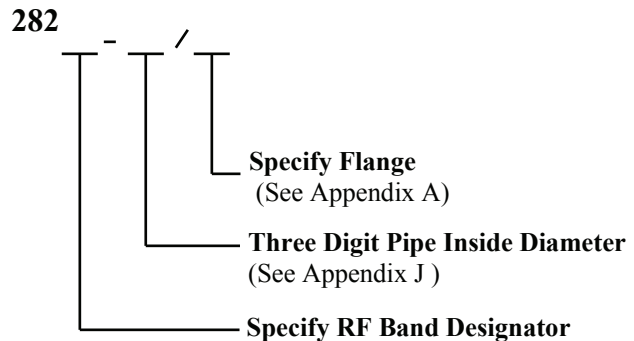
Features

- VSWR < 1.2
- Higher Frequency Units will be Quoted on Request
- Axial Ratio < 1.0 dB Over the Indicated Bandwidth
- Converts Linear Input Signals to Circular Out
- Specify Sense of Circular Polarization (RHCP or LHCP)
- Available from 18.0 to 110 GHz with 3% or Greater Bandwidth

Description 282 Series Polarizers

Mi-Wave's 282 series circular polarizer converts input linear signals to circularly polarized output signals. The circular polarization sense (RHCP or LHCP) and center frequency should be specified at the time of the order. This polarizer will yield a maximum VSWR of 1.2 and an axial ratio of 1.0 dB maximum over the indicated bandwidth.

Ordering Information



Applications

Satellite Links
Radio Astronomy
Communication Systems

Mi-Wave

Millimeter Wave Products Inc.

www.miwv.com

2200 Tall Pines Drive, Suite 100

Largo, FL 33771

Tel. (727) 536-0033 Fax. (727) 536-0012

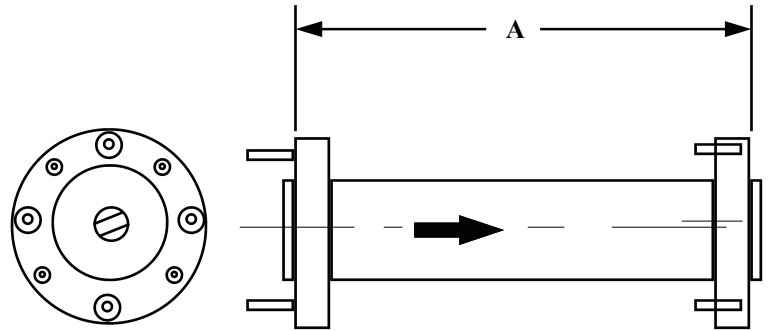
E: sales@miwv.com

282 Series

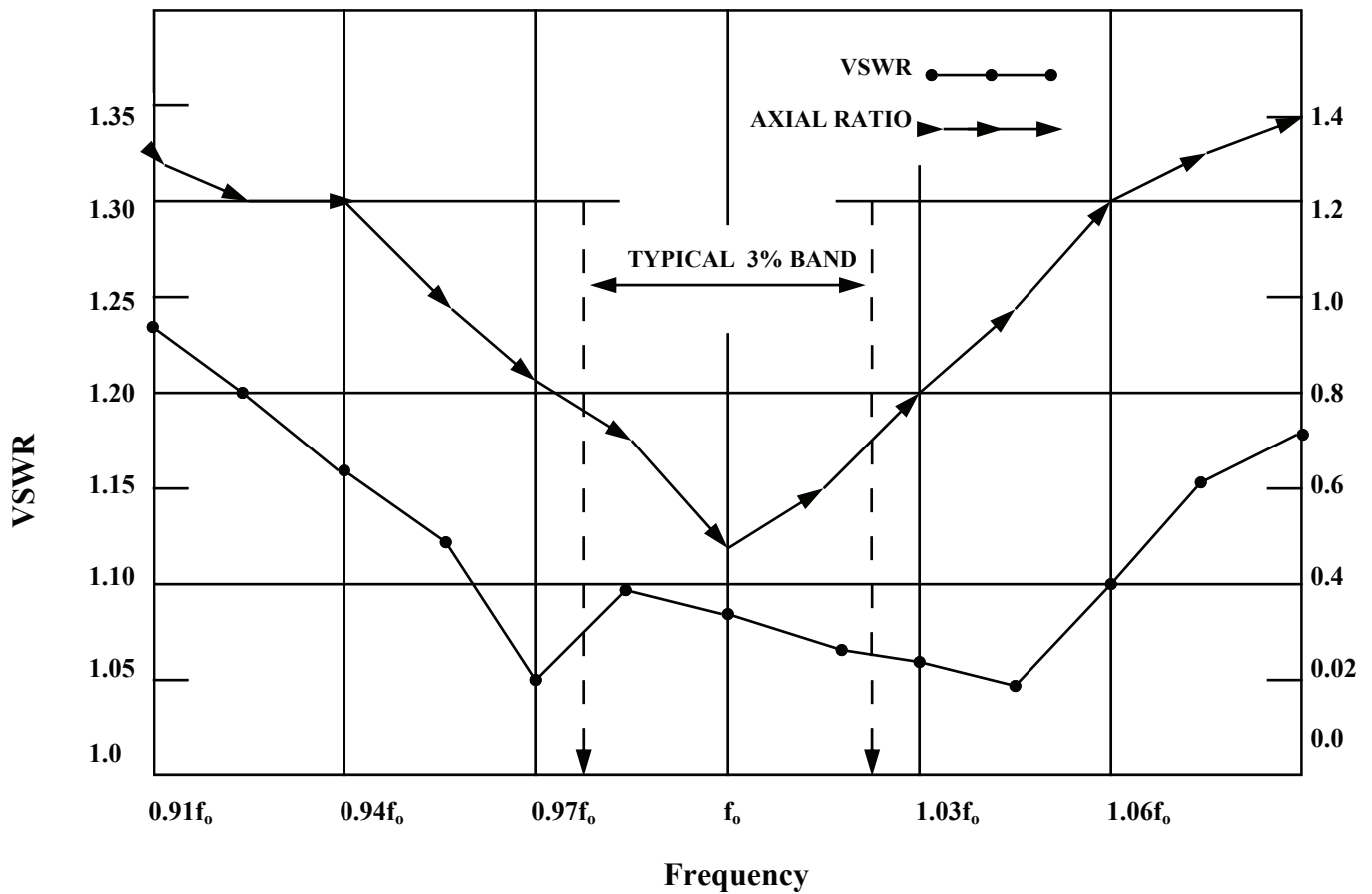
Circular Polarizers

Specifications

Model No.	Frequency Band (GHz)	A in	A mm
282K	18.0-26.5	2.3	58.4
282A	26.5-40.0	1.5	38.1
282B	33.0-50.0	1.5	38.1
282U	40.0-60.0	1.5	38.1
282V	50.0-75.0	1.1	28.0
282E	60.0-90.0	1.1	28.0
282W	75.0-110.0	1.0	25.4



Performance Curve



Mi-Wave

Millimeter Wave Products, Inc.

www.miww.com

Tel. (727) 536-0033 Fax. (727) 536-0012

E: sales@miww.com