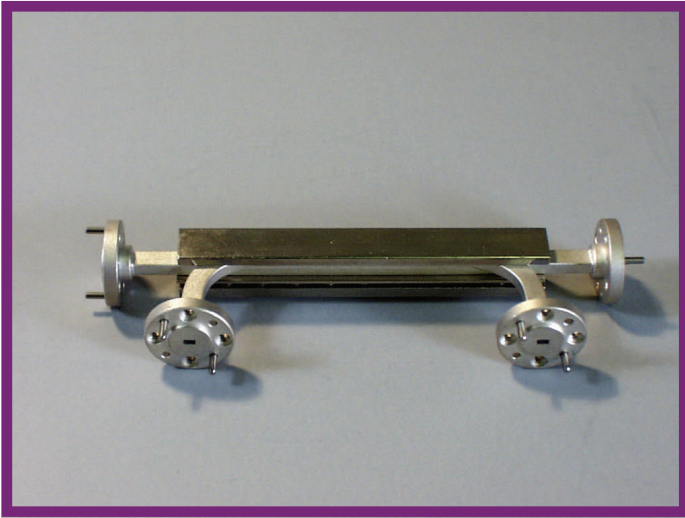


# 555 Series

# Bidirectional Couplers



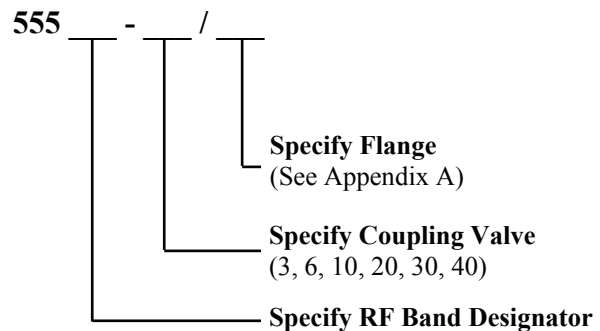
## Features

- High Directivity
- Accurate Coupling
- Full Waveguide Bandwidth

## Description 555 Series Couplers

**Mi-Wave's** 555 series bidirectional couplers are broadband, broadwall components with a multi-hole pattern that features an inherently high directivity. The 555 series couplers are available in 3 dB, 6 dB, 10 dB, 20 dB, 30 dB, and 40 dB coupling values for standard waveguide bands from 26.5 to 110.0 GHz.

## Ordering Information



## Applications

The 555 series bidirectional couplers are used in applications that require precise sampling of both incident and reflected energy. The 3 dB couplers are especially useful in balanced mixer work where broadband power division of RF and LO signals is required to supply both sides of a balanced mixer unit. The 3 dB bidirectional couplers can provide full bandwidth power division.

## Mi-Wave

Millimeter Wave Products Inc.

[www.miwv.com](http://www.miwv.com)

2200 Tall Pines Drive, Suite 100

Largo, FL 33771

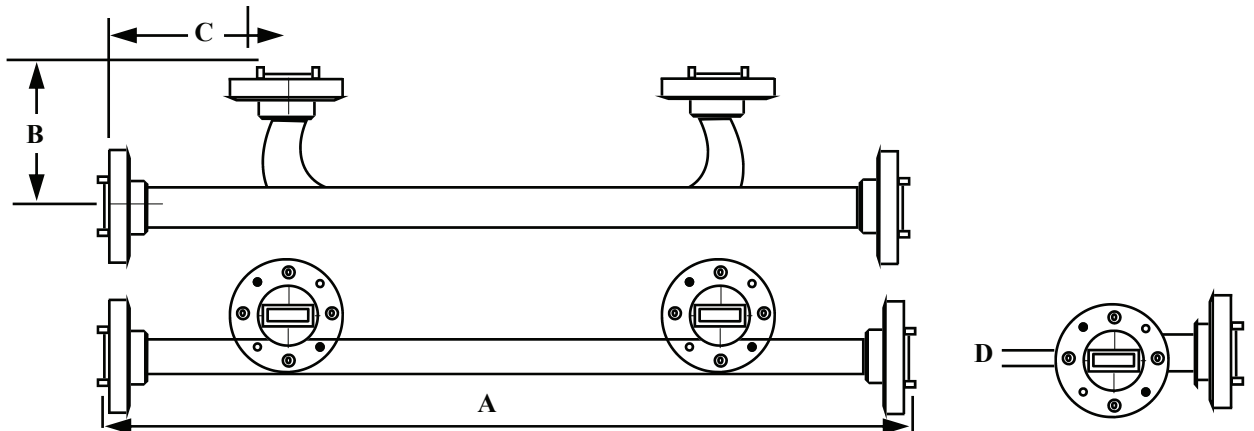
Tel. (727) 536-0033 Fax. (727) 536-0012

E: [sales@miwv.com](mailto:sales@miwv.com)

# 555 Series Bidirectional Couplers

## Technical Specifications

Model Number	555A	555B	555U	555V	555E	555W
Frequency Band (GHz)	26.5-40.0	33.0-50.0	40.0-60.0	50.0-75.0	60.0-90.0	75.0-110.0
Coupling (dB)	3, 6, 10, 20, 30, 40					
Coupling Variation (dB)	± 0.7	± 0.7	± 0.8	± 1.0	± 1.0	± 1.0
Coupling Accuracy (dB)	± 1.0	± 1.0	± 1.2	± 1.5	± 1.5	± 1.5
Directivity (dB) Typical	30	30	30	30	30	30
Main Line VSWR	1.05	1.05	1.10	1.10	1.10	1.10
Auxiliary Line VSWR	1.15	1.15	1.20	1.20	1.20	1.20
Weight (oz)	6.0	5.0	4.0	3.0	2.5	2.0



## Dimensional Specifications

Model Number	A		B		C		D	
	in	mm	in	mm	in	mm	in	mm
555A/10, 20, 30, 40	9.62	244.0	1.75	44.5	1.38	35.1	.16	4.06
555A/3, 6 dB	12.0	304.8	1.75	44.5	1.38	35.1	.16	4.06
555B/10, 20, 30, 40	8.40	213.0	1.64	41.7	1.30	33.0	.13	3.30
555B/3, 6 dB	10.25	259.1	1.64	41.7	1.30	33.0	.13	3.30
555U/10, 20, 30, 40	7.38	187.4	1.38	35.1	1.12	28.5	.11	2.80
555U/3, 6 dB	9.12	231.6	1.38	35.1	1.12	28.5	.11	2.80
555V/10, 20, 30, 40	6.25	159.0	1.13	28.6	0.88	22.4	.08	2.03
555V/3, 6 dB	7.25	184.1	1.13	28.7	0.88	22.4	.08	2.03
555E/10, 20, 30, 40	5.50	140.0	1.13	28.5	0.88	22.4	.07	1.78
555E/3, 6 dB	6.62	168.1	1.13	28.7	0.88	22.4	.07	1.78
555W/10, 20, 30, 40	4.50	114.0	1.00	25.4	0.81	20.6	.06	1.52
555W/3, 6 dB	5.50	139.7	1.00	25.4	0.81	20.6	.06	1.52

**Mi-Wave**

Millimeter Wave Products, Inc.

www.miwv.com

Tel. (727) 536-0033 Fax. (727) 536-0012

E: sales@miwv.com