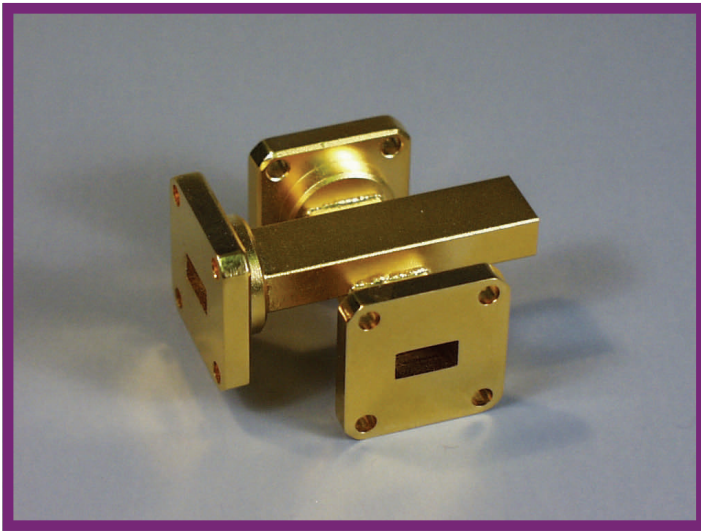


566 Series Cross Guide Directional Couplers



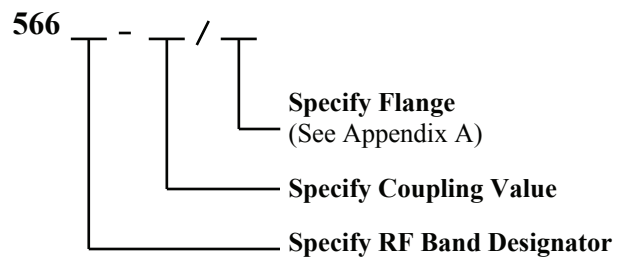
Features

- Low Cost
- Low VSWR
- Four-Port Device
- Rugged Construction
- Broadband Operation

Description 566 Series Couplers

Mi-Wave's 566 series cross guide coupler consists of two waveguides at right angles to each other, joined by small coupling slots whose size, location, and orientation determine the coupling and directivity of the unit. All ports are available for sampling or injecting energy and are clearly marked to indicate the coupling direction.

Ordering Information



Applications

The 566 series cross guide directional couplers provide an efficient means for sampling power or injecting a signal into a waveguide transmission line.

Mi-Wave

Millimeter Wave Products Inc.

www.miwv.com

2200 Tall Pines Drive, Suite 100

Largo, FL 33771

Tel. (727) 536-0033 Fax. (727) 536-0012

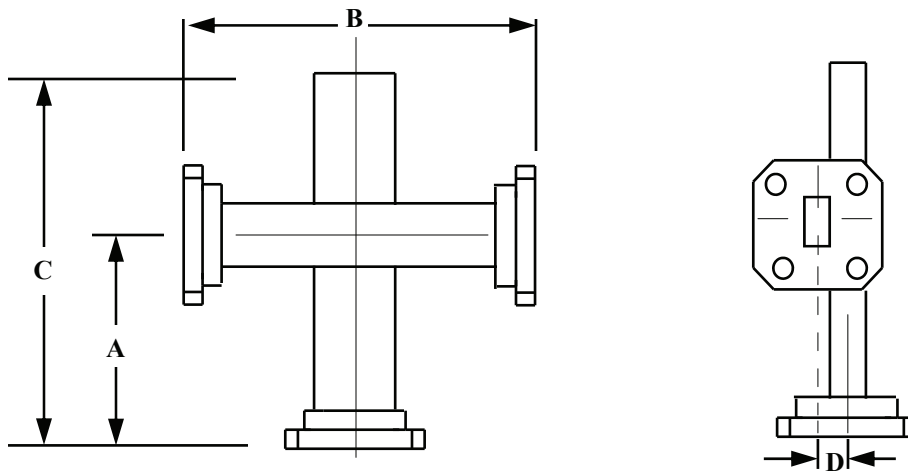
E: sales@miwv.com

566 Series Cross Guide Directional Couplers

Technical Specifications

Model Number	566K	566A	566B	566U	566V	566E	566W
Frequency Band (GHz)	18.0-26.5	26.5-40.0	33.0-50.0	40.0-60.0	50.0-75.0	60.0-90.0	75.0-110
Standard Coupling Values (dB) Nom.	16, 20, 30, 40, 50						
Directivity (dB) Typical	15	15	15	15	10	10	10
VSWR Max.	1.15	1.15	1.15	1.15	1.20	1.20	1.20
Weight (oz)	3.0	3.0	3.0	3.0	2.0	2.0	2.0

1. Any coupling values are available upon request.
2. Nominal ± 2.0 dB coupling variation over the waveguide band when set for coupling value at the band center.



Dimensional Specifications

Model Number	A		B		C		D	
	in	mm	in	mm	in	mm	in	mm
566K	1.00	25.4	2.00	50.8	2.00	50.8	.187	4.74
566A	.75	.19	1.50	38.1	1.50	38.1	.161	4.09
566B	.75	.19	1.50	38.1	1.50	38.1	.127	3.22
566U	.75	.19	1.50	38.1	1.50	38.1	.11	2.80
566V	.75	.19	1.50	38.1	1.50	38.1	.090	2.29
566E	.75	.19	1.50	38.1	1.50	38.1	.075	1.90
566W	.75	.19	1.50	38.1	1.50	38.1	.065	1.65

Mi-Wave

Millimeter Wave Products, Inc.

www.miww.com

Tel. (727) 536-0033 Fax. (727) 536-0012

E: sales@miww.com