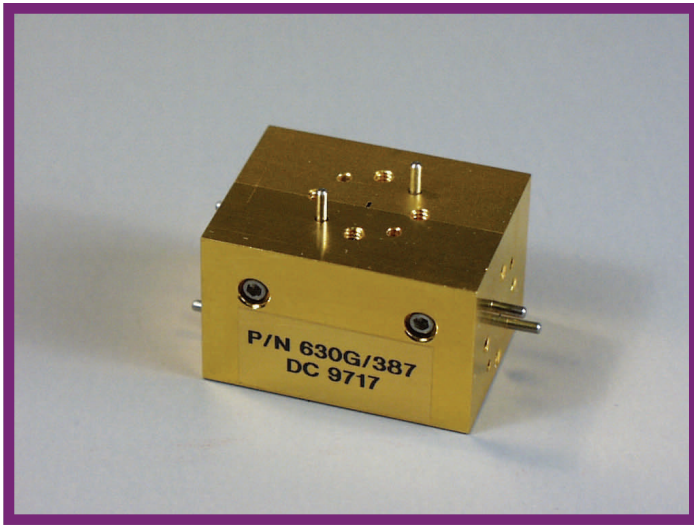


630 / 635 Series

Magic & Hybrid Tees



Features

- Equal Power Division
- Available from 12.4 to 220 GHz
- High Isolation Provided by Symmetrical Construction

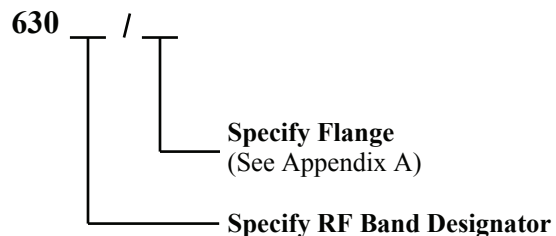
Description 630 Series Hybrid Tees

Mi-Wave's 630 series E/H hybrid tees consist of three mutually perpendicular flanged sections of a standard waveguide. Two of these sections are symmetrically located on the broad and narrow walls of the main tee section to provide E-plane and H-plane connections. The internal geometry of these hybrids provides a power-dividing and phase-inverting characteristic. Power applied to the shunt H-plane arm is divided between the two in-line ports of the main tee section to result in equal power, in-phase output signals. Power applied to the series E-plane arm is also divided between these two ports, but with a phase reversal which provides equal-power, opposite-phase outputs. With symmetrical construction, good isolation is maintained between the E-plane and H-plane arms. The 630 series hybrid tees are available in standard wave-guide sizes from 12.4 to 220 GHz.

Applications

The 630 series hybrid tees are four-port transmission line components designed for basic power-splitting and mixing applications. These devices are useful as integral parts of RF bridge circuits for routine impedance comparisons and reflection coefficient measurements or as power dividers and isolators in radar balanced mixer circuits. Because the series (E) and shunt (H) arms are not matched, these units are not suited for low VSWR applications. For these applications, **Mi-Wave** recommends the 600 series and 605 hybrids. Also 635 Magic Tee.

Ordering Information



Mi-Wave

Millimeter Wave Products Inc.

www.miwv.com

2200 Tall Pines Drive, Suite 100

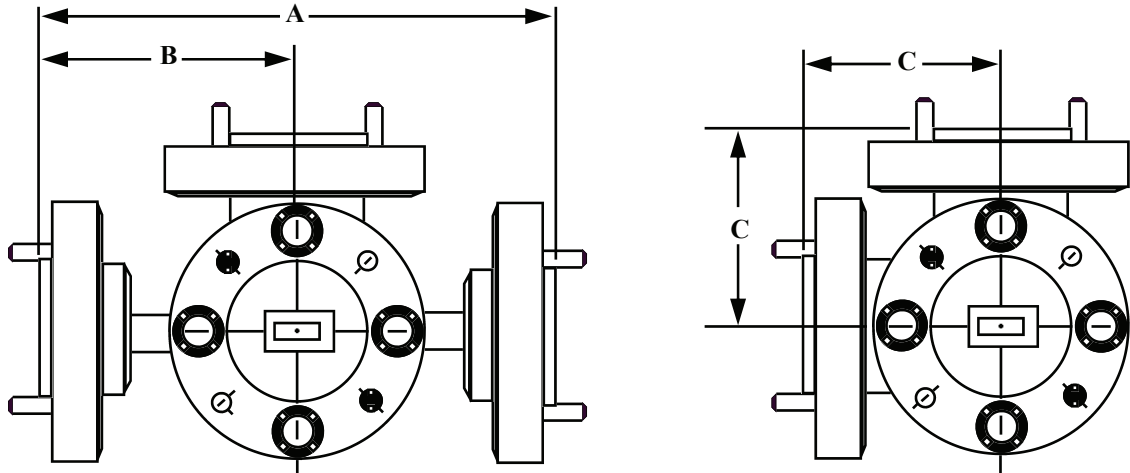
Largo, FL 33771

Tel. (727) 536-0033 Fax. (727) 536-0012

E: sales@miwv.com

630 Series

Hybrid Tees



Dimensional Specifications

Model	A		B		C		Weight
Number	in	mm	in	mm	in	mm	(oz)
630Ku	2.50	63.5	1.25	31.7	2.25	57.2	5.5
630K	2.50	63.5	1.25	31.7	1.63	41.4	5.5
630A	2.50	63.5	1.25	31.7	1.20	30.5	5.0
630B	2.50	63.5	1.25	31.7	1.17	29.7	4.8
630U	2.50	63.5	1.25	31.7	1.15	29.2	4.4
630V	2.00	50.8	1.00	25.4	0.85	21.6	3.4
630E	2.00	50.8	1.00	25.4	0.83	21.1	3.2
630W	2.00	50.8	1.00	25.4	0.82	20.8	3.0
630F	1.50	38.1	0.75	19.1	0.56	14.2	2.2
630D	1.50	38.1	0.75	19.1	0.55	14.0	1.6
630G	1.50	38.1	0.75	19.1	0.54	13.7	1.5

Mi-Wave

Millimeter Wave Products, Inc.

www.miww.com Tel. (727) 536-0033 Fax. (727) 536-0012

E: sales@miww.com