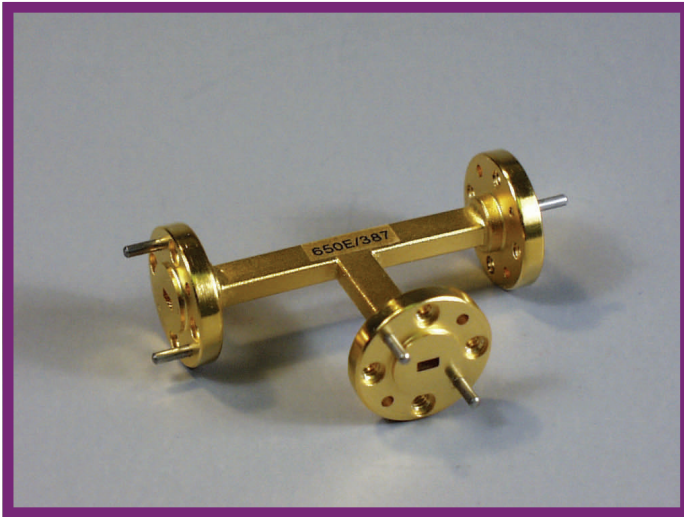


640 E-Plane Series & 650 H-Plane Series Tees



Description 640 and 650 Series Tees

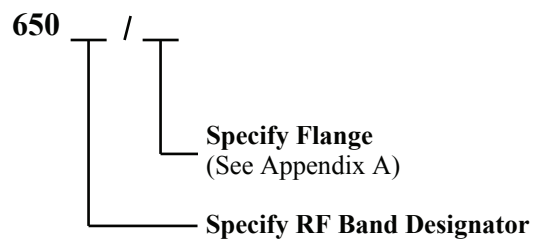
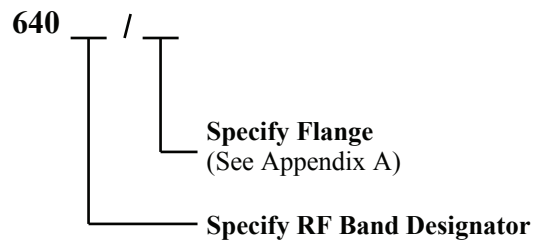
Mi-Wave's 640 series E-plane tees consist of a length of standard flanged waveguide with a perpendicular E-plane coupling arm symmetrically located on the broad waveguide wall. Input power is divided equally and in opposite phase between the two outputs.

Similarly, the 650 series H-plane tees feature an H-plane coupling arm located on the narrow waveguide wall. Power at the coupling arm input is divided into equal signals in phase at the main outputs. These devices are available in standard waveguide sizes from 12.4 to 220 GHz. Neither the 640 series or the 650 series tees have matched junctions and therefore are not recommended for low VSWR applications.

Features

- Unmatched Ports
- Geometrical Symmetry
- Available from 12.4 to 220 GHz
- Equal Power Division Between the Two Outputs

Ordering Information



Mi-Wave

Millimeter Wave Products Inc.

www.miwv.com

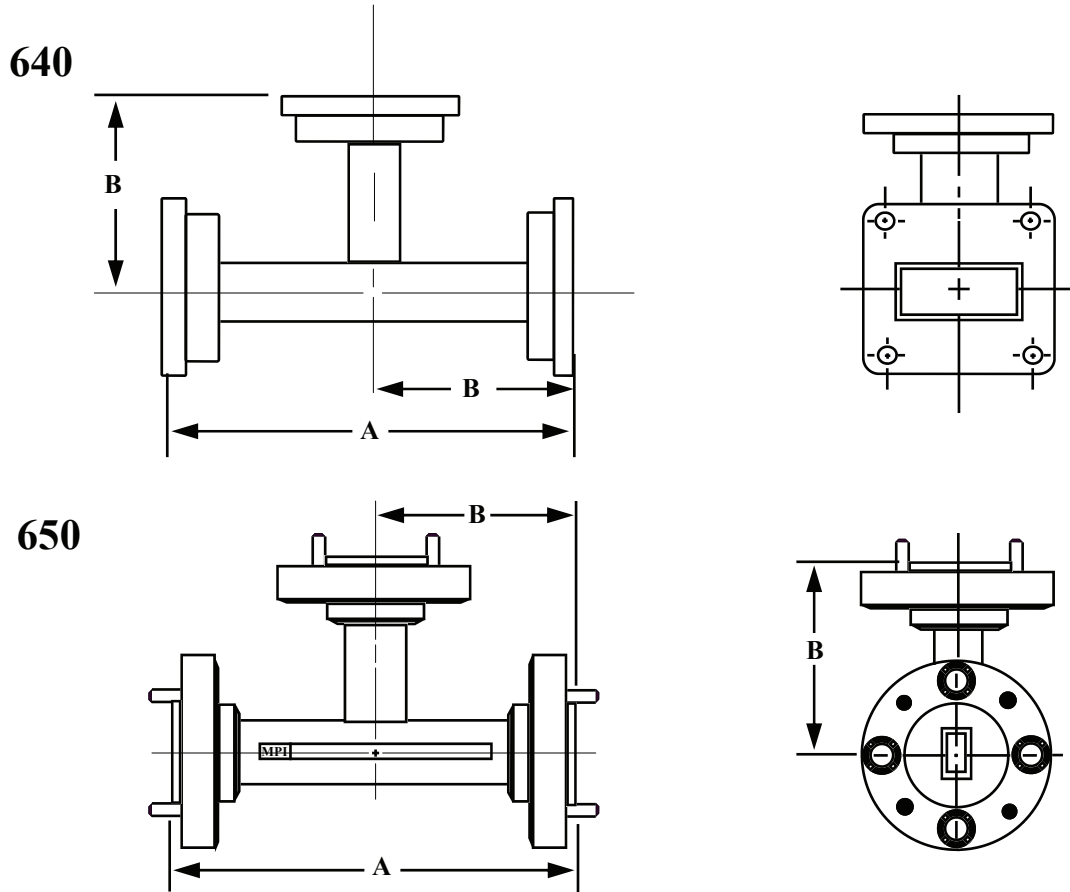
2200 Tall Pines Drive, Suite 100

Largo, FL 33771

Tel. (727) 536-0033 Fax. (727) 536-0012

E: sales@miwv.com

640 E-Plane Series & 650 H-Plane Series Tees



Dimensional Specifications

640 E-Plane

| Model Number | A | | B | | Weight (oz) |
|--------------|------|-------|------|-------|-------------|
| | in | mm | in | mm | |
| 640Ku | 2.50 | 63.50 | 1.25 | 31.75 | 3.7 |
| 640K | 2.40 | 60.96 | 1.20 | 30.48 | 3.7 |
| 640A | 2.40 | 60.96 | 1.20 | 30.48 | 3.7 |
| 640B | 2.40 | 60.96 | 1.20 | 30.48 | 3.4 |
| 640U | 2.40 | 60.96 | 1.20 | 30.48 | 3.2 |
| 640V | 2.00 | 50.80 | 1.00 | 25.40 | 2.6 |
| 640E | 2.00 | 50.80 | 1.00 | 25.40 | 2.4 |
| 640W | 2.00 | 50.80 | 1.00 | 25.40 | 2.3 |
| 640F | 1.50 | 38.10 | 0.75 | 19.05 | 1.7 |
| 640D | 1.50 | 38.10 | 0.75 | 19.05 | 1.3 |
| 640G | 1.50 | 38.10 | 0.75 | 19.05 | 1.3 |

650 H-Plane

| Model Number | A | | B | | Weight (oz) |
|--------------|------|-------|------|-------|-------------|
| | in | mm | in | mm | |
| 650Ku | 2.50 | 63.50 | 1.25 | 31.75 | 3.7 |
| 650K | 2.40 | 60.96 | 1.20 | 30.48 | 3.7 |
| 640A | 2.40 | 60.96 | 1.20 | 30.48 | 3.7 |
| 650B | 2.40 | 60.96 | 1.20 | 30.48 | 3.4 |
| 650U | 2.40 | 60.96 | 1.20 | 30.48 | 3.2 |
| 650V | 2.40 | 60.96 | 1.00 | 25.40 | 2.6 |
| 650E | 2.00 | 50.80 | 1.00 | 25.40 | 2.4 |
| 650W | 2.00 | 50.80 | 1.00 | 25.40 | 2.3 |
| 650F | 1.50 | 38.10 | 0.75 | 19.05 | 1.7 |
| 640D | 1.50 | 38.10 | 0.75 | 19.05 | 1.3 |
| 650G | 1.50 | 38.10 | 0.75 | 19.05 | 1.3 |

Mi-Wave

Millimeter Wave Products, Inc.

www.miwv.com

Tel. (727) 536-0033 Fax. (727) 536-0012

E: sales@miwv.com