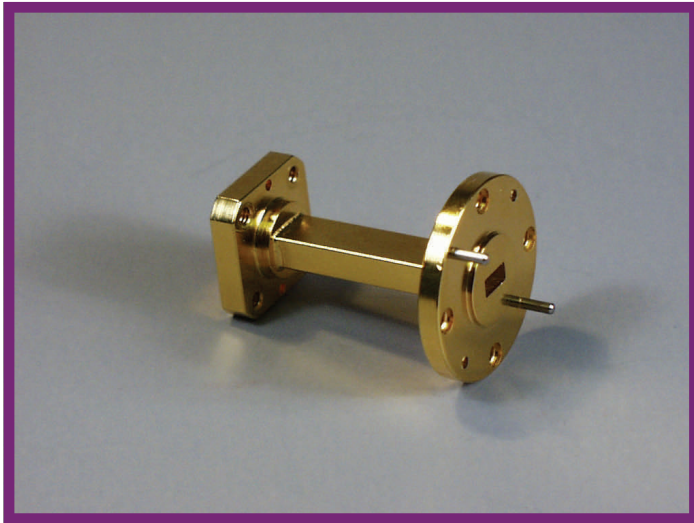


# 688 Series

# Flange Adapters



## Features

- Precision Built
- Available from 12.4 to 220 GHz

## Description 688 Flange Adapters

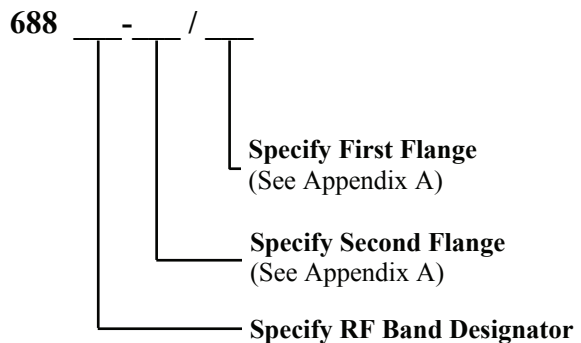
**Mi-Wave's** 688 series flange adapters are manufactured in standard waveguide sizes from 12.4 to 220 GHz. Each section is precision-machined and terminated in a variety of flange combinations. Please refer to Appendix A for a full list of available flanges.

Precise control of the waveguide dimensions and elimination of surface discontinuities makes these sections useful in transmission line applications that require low waveguide loss and VSWR effects. In addition to the standard 688 series flanges, specialized flange adapters are available on request.

## Applications

The 688 series flange adapters are used in operational millimeter wave transmission systems that require a transition between components or systems with different flanges.

## Ordering Information



## Mi-Wave

Millimeter Wave Products Inc.

[www.miwv.com](http://www.miwv.com)

2200 Tall Pines Drive, Suite 100

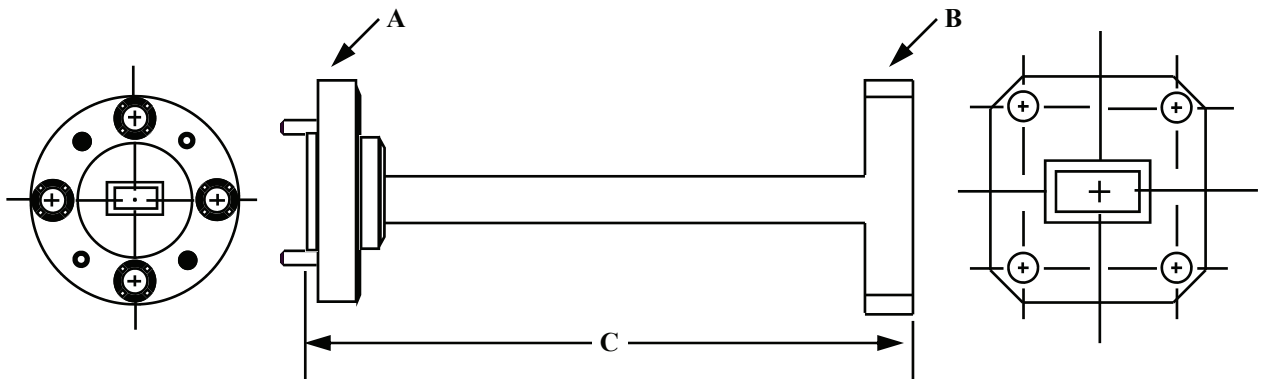
Largo, FL 33771

Tel. (727) 536-0033 Fax. (727) 536-0012

E: [sales@miwv.com](mailto:sales@miwv.com)

# 688 Series

# Flange Adapters



## Dimensional Specifications

Model Number	Flanges		C		Weight (oz)
	A	B	in	mm	
688Ku/419/541	UG-419/U	UG-541/U	1.00	25.40	3.0
688K/595/596	UG-595/U	UG-596/U	1.00	25.40	1.3
688K/595/425	UG-595/U	UG-425/U	1.00	25.40	1.4
688A/381/599	UG-381/U	UG-599/U	1.00	25.40	1.2
688A/381/600	UG-381/U	UG-600/U	1.00	25.40	1.1
688A/599/600	UG-599/U	UG-600/U	1.00	25.40	1.1
688B/383/719	UG-383/U	719	1.00	25.40	0.8
688B/383/385	UG-383/U	UG-385/U	1.00	25.40	0.8
688U/383/720	UG-383/U	720	1.00	25.40	0.8
688F/714/724	714	724	0.38	9.65	0.6
688F/714/387	714	UG-387/U-M	0.75	19.05	0.6
688F/724/387	724	UG-387/U-M	0.75	19.05	0.6
688D/716/726	716	726	0.38	9.65	0.6
688D/716/387	716	UG-387/U-M	0.75	19.05	0.6
688D/726/387	726	UG-387/U-M	0.75	19.05	0.6
688G/715/725	715	725	0.38	9.65	0.6
688G/715/385	715	UG-385/U-M	0.75	19.05	0.6

**Mi-Wave**

Millimeter Wave Products, Inc.

www.miww.com Tel. (727) 536-0033 Fax. (727) 536-0012

E: sales@miww.com