

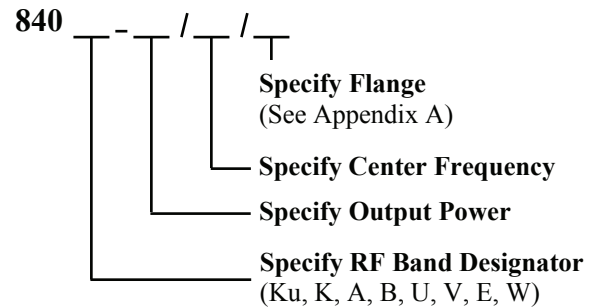
840 Series Electronically Tuned Gunn Oscillators



Features

- Low Noise
- High Reliability
- 12.4 to 110 GHz
- Electronic Tuning

Ordering Information



Description 840 Series Oscillators

Mi-Wave's 840 series electronically tuned gunn oscillators have been designed to be used where a frequency agile millimeter source is required. This source can be used as a modulated transmitter or local oscillator. This 840 series gunn oscillator can provide up to 500 MHz of electronic tuning with power outputs of up to 250 milliwatts. Frequency stabilities of 100 KHz / ° C can be provided.

Technical Specifications

Model No.	Frequency Band (GHz)	Power Output (up to mw)	Electronic Tuning (MHz)	Mech. Tuning	Freq. Stability MHz / ° C
840Ku	12.4 - 18.0	250	100	250	.30
840K	18.0 - 26.5	250	125	250	.50
840A	26.5 - 40.0	200	140	250	.70
840B	33.0 - 50.0	200	175	300	.90
840U	40.0 - 60.0	150	200	300	1.10
840V	50.0 - 75.0	100	200	400	2.2
840E	60.0 - 90.0	75	225	500	2.6
840W	75.0 - 110.0	50	250	500	3.5

Applications

Radar
Swept Sources
Telecommunication Systems

Mi-Wave

Millimeter Wave Products Inc.

www.miww.com

2200 Tall Pines Drive, Suite 100

Largo, FL 33771

Tel. (727) 536-0033 Fax. (727) 536-0012

E: sales@miww.com