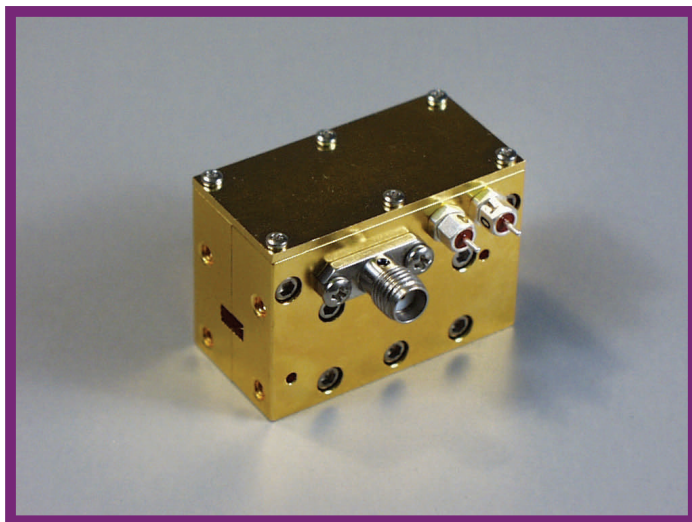


# 900 & 905 Series

# Pin Diode Attenuators



## Description 900 & 905 Series Attenuators

**Mi-Wave** 900 series PIN diode attenuator is a SPST reflective attenuator that combines low loss, high isolation performance in a compact package. Attenuation options are available for the 900 series attenuation with isolation versions up to 60 dB. These attenuators are supplied without drivers, control is typically 0 to +10 Vdc. For full band applications, the 905 series attenuation feature an excellent on/off ratio and a full bandwidth.

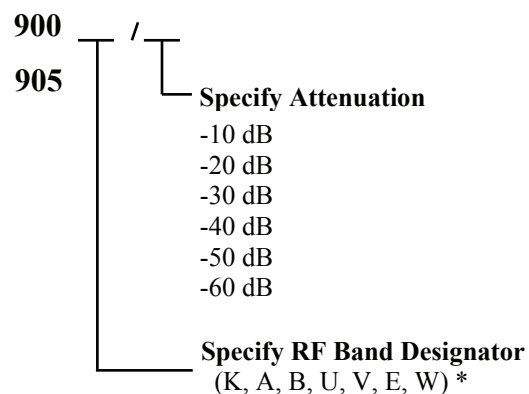
## Applications

Both series of PIN attenuators can be used for a variety of applications including wave shaping, amplitude modulation, signal switching, and receiver protection.

## Features

- Series 900 Attenuators 10 to 60 dB - 6% Bandwidth
- Series 905 Attenuator 10 to 40 dB Full Bandwidth (K, A, B, U)

## Ordering Information



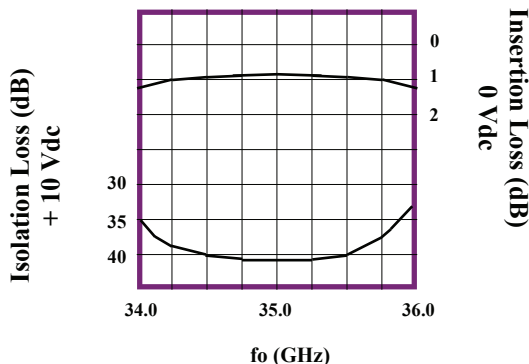
Please specify center frequency at time of order.

\* V, E, W are 50% bandwidth.

## Operating Specifications

Control Input.....	0 to +10 Vdc
Operating Temperature...	0° C to +60° C
Storage Temperature.....	-55° C to +125° C
VSWR.....	1.5 Typical (Low Loss Condition)

## Technical Performance



# Mi-Wave

Millimeter Wave Products Inc.

[www.miww.com](http://www.miww.com)

2200 Tall Pines Drive, Suite 100

Largo, FL 33771

Tel. (727) 536-0033 Fax. (727) 536-0012

E: [sales@miww.com](mailto:sales@miww.com)