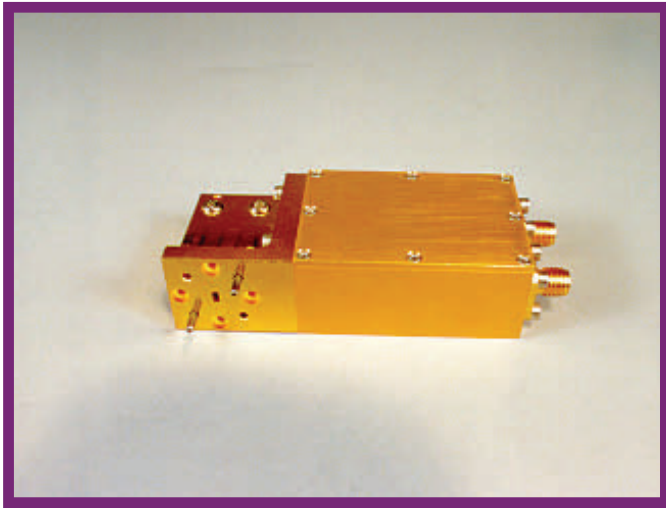


922 Series

Harmonic Mixers



Description 922 Series Harmonic Mixers

Mi-Waves' 922 series harmonic mixers are used to downconvert millimeter wave signals using a Schottky barrier mixer diode and a Diplexer circuit to separate the local oscillator, and IF paths. Measurements can be made by mixing the harmonic of the LO with the desired RF signal and observing the resulting IF.

Designed for use with spectrum analyzers such as the HP 8566B and the HP 8569B, the 922 series harmonic mixers are used to extend the operating range of spectrum analyzers and other commercial test equipment. The mixers feature separate LO output and IF input ports with a standard triplexer circuit. The units can also be supplied with an optional 30 dB IF amplifier. For applications where a Diplexer is not required, please order 920 series harmonic mixers.

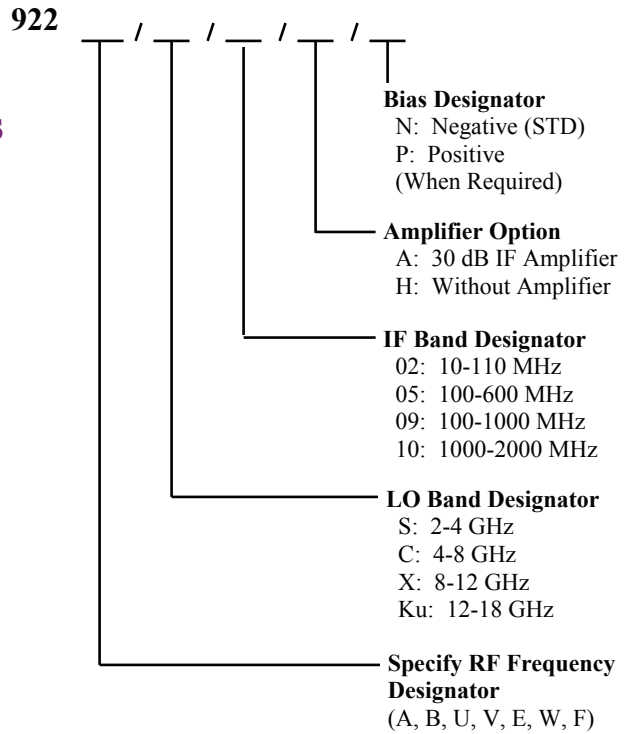
Operating Specifications

RF Input Power.....	+15 dBm, Max.
LO Input Power.....	+18 dBm, Max.
Storage Temperature.....	-55° C to +125° C
Operating Temperature.....	° C to +60° C
Bias Requirements:	
Diode.....	-0.7 Vdc @ 5 mA
Amplifier.....	+15 Vdc @ 60 mA

Features

- Full Waveguide Band Coverage
- Available With or Without IF Amplifier
- Extends the Useful Frequency Range of Spectrum Analyzers

Ordering Information



Optional IF amplifiers are available. Please consult **Mi-Wave** for further information.



Millimeter Wave Products Inc.

www.miww.com

2200 Tall Pines Drive, Suite 100

Largo, FL 33771

Tel. (727) 536-0033 Fax. (727) 536-0012

E: sales@miww.com

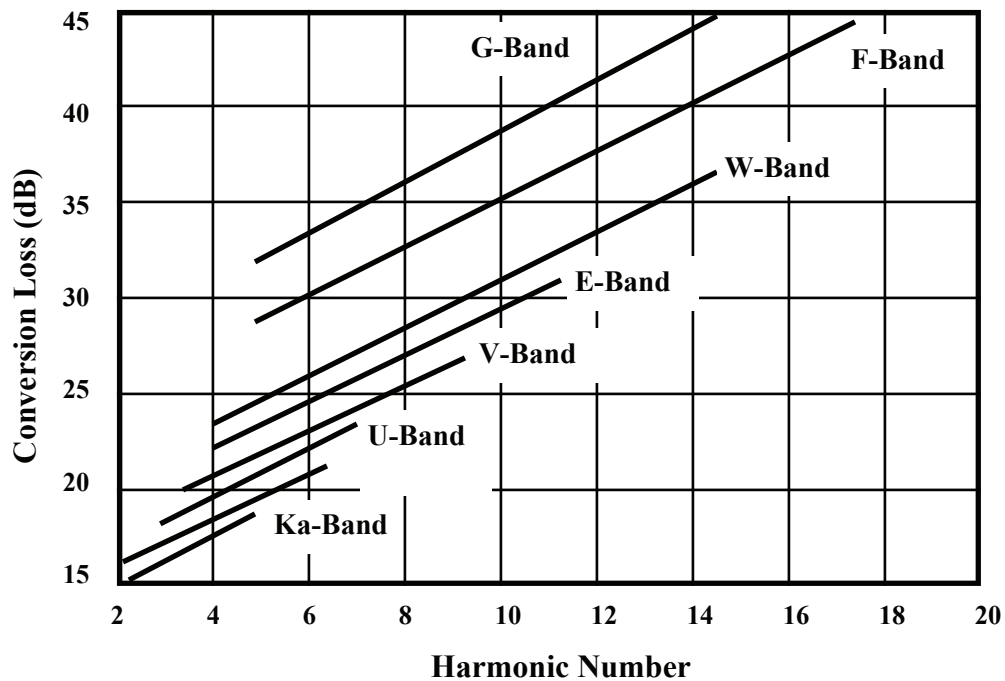
922 Series

Harmonic Mixers

Technical Specifications

Standard Mixer	Frequency Band (GHz)	Waveguide	Flange	LO Band	SSB Conversion Loss (dB)
922K	26.5 - 40.0	WR - 28	UG - 599	↑	18
922A	33.0 - 50.0	WR - 22	UG - 383		20
922B	40.0 - 60.0	WR - 19	UG - 383M		22
922U	50.0 - 75.0	WR - 15	UG - 385	8.0 - 12.0 GHz	24
922V	60.0 - 90.0	WR - 12	UG - 387	↓	27
922E	75.0 - 110.0	WR - 10	UG - 387M		30
922W	90.0 - 140.0	WR - 8	UG - 387M		40

Nominal Conversion Loss vs. Harmonic Number and RF Band



Mi-Wave

Millimeter Wave Products, Inc.

www.miwv.com

Tel. (727) 536-0033 Fax. (727) 536-0012

E: sales@miwv.com