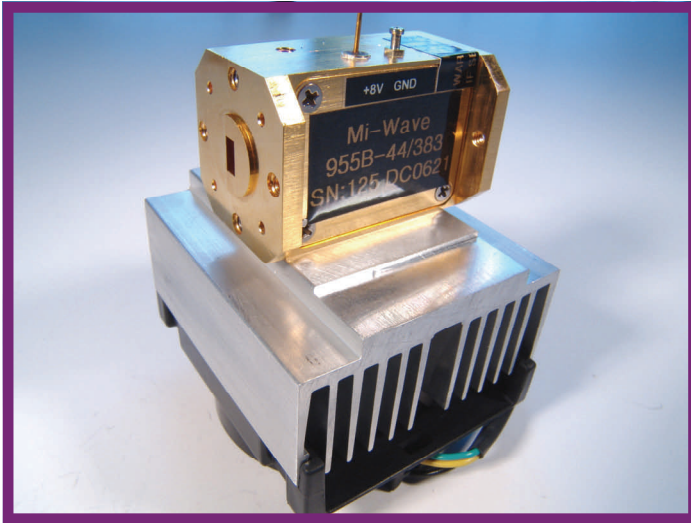


955 Series Amplifiers



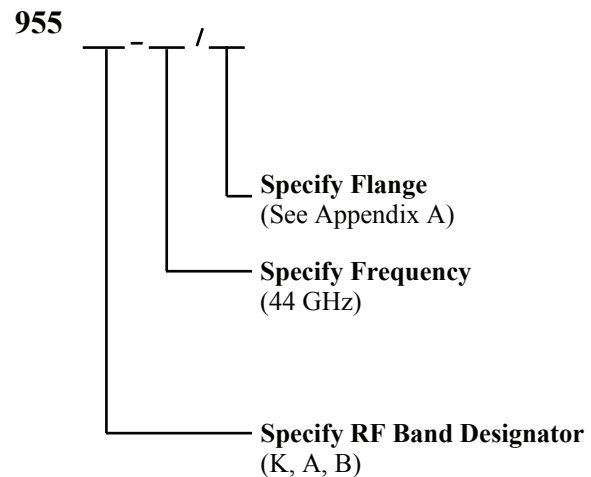
Features

- Low Noise
- High Gain
- Full Bandwidths
- High 1 db Comp. Points
- Wide Variety of Frequency Ranges
- 2 GHz to 140 GHz

Description 955 Series Amplifiers

Mi-Wave's 955 series microwave and millimeter wave amplifiers offer a wide variety of frequency ranges, bandwidths, gain and power outputs. Low Noise versions are now available. Frequencies from 2 GHz to 140 GHz. Low cost production designs to meet the demanding needs of communications are also now available. High Power Outputs in the Millimeter Wave Frequencies up to +43 dbm. Please consult Mi-Wave for technical specifications and outline drawings

Ordering Information



Mi-Wave

Millimeter Wave Products Inc.

www.miww.com

2200 Tall Pines Drive, Suite 100

Largo, FL 33771

Tel. (727) 536-0033 Fax. (727) 536-0012

E: sales@miww.com

955 Series Amplifiers

Technical Specifications

Frequency Ranges 2 to 140 GHz

Gain 10 to 60 db

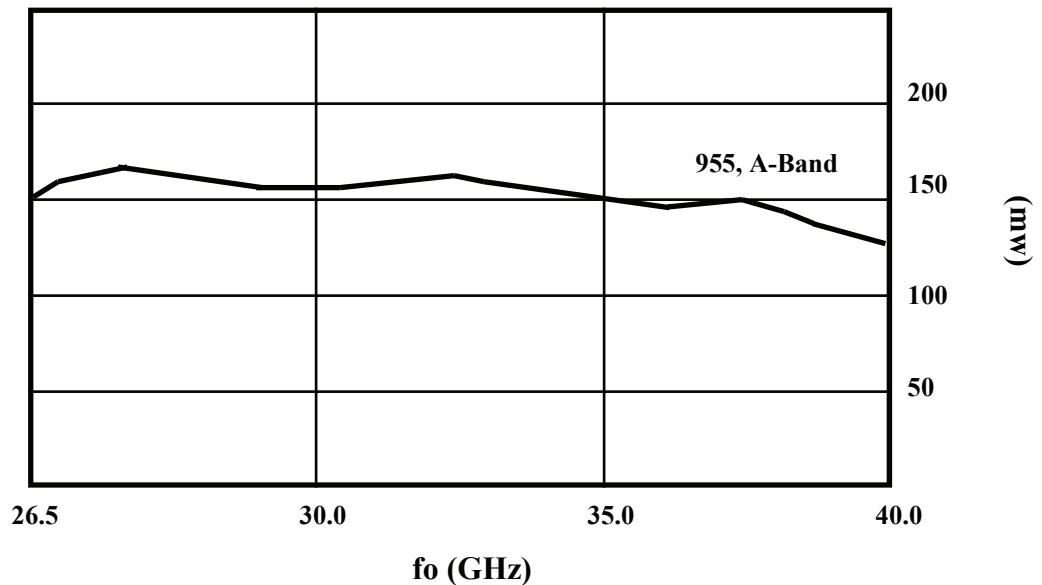
Noise Figures 0.6 db

+43 dbm power outputs

Coaxial and waveguide interfaces

1. Please Consult Mi-Wave with your technical requirements.

Typical Output Power Ka Band Instrumentation Amplifier RF input -20 dBm



Mi-Wave

Millimeter Wave Products, Inc.

www.miww.com

Tel. (727) 536-0033 Fax. (727) 536-0012

E: sales@miww.com