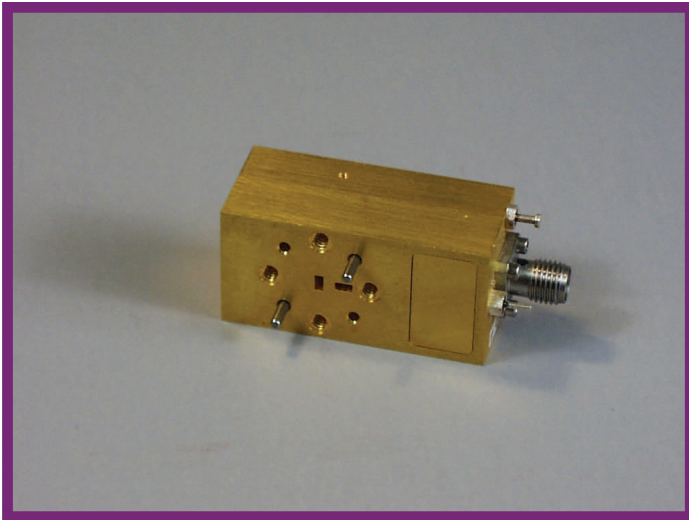


980 & 985 Series

Upconverters



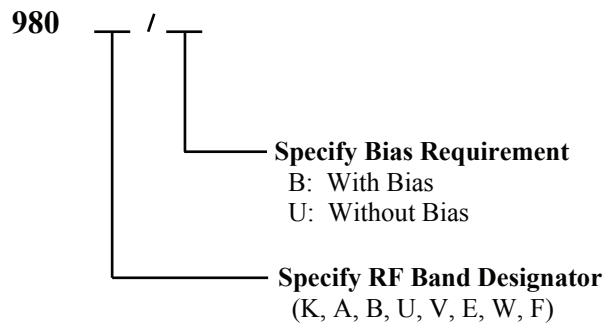
Features

- Low Drive (Biased)
- Low Conversion Loss
- Wide Choice of IF Inputs
- With or Without RF Filter
- High Drive (Unbiased) Options

Description 980/985 Series Upconverters

Mi-Waves' 980/985 series millimeter wave upconverters use MIC balanced mixers to provide optimum electrical performance throughout the standard product line. **Mi-Waves'** GaAs beam-lead diode technology means power levels as high as +5 dBm. Low conversion loss specifications ensure efficient upconversion.

Ordering Information



Operating Specifications

RF Bandwidth.....	Up to Full Band
Conversion Flatness.....	±1 dB, Typ.
LO Input Power.....	+20 dBm, Max.
IF Input Power.....	+20 dBm, Max.
Combined Power.....	+23 dBm, Max.
RF Output Power.....	±0 dBm, Typ.
LO VSWR.....	2:1, Typ.
IF VSWR.....	2:1, Typ.
LO/RF Isolation.....	20 dB, Min.
Operating Temperature.....	-40° C to +70° C

985 includes RF filter with -30 dbc lower sideband suppression at IF's greater than 3 GHz.

Please be sure to specify center RF frequency

Mi-Wave

Millimeter Wave Products Inc.

www.miwv.com

2200 Tall Pines Drive, Suite 100

Largo, FL 33771

Tel. (727) 536-0033 Fax. (727) 536-0012

E: sales@miwv.com