

## 014676 Wireless LAN Antennas - Dipole Antennas - HA-2400D-CLSMA -

### 仕様

#### ◆Electrical Specifications

Item	Specification
Frequency Range	2400~2480MHz
Gain	2 dBi
V.S.W.R(Max.)	Less than 2
Impedance	50 Ω
Polarization	Vertical
Power Input(max.)	5W

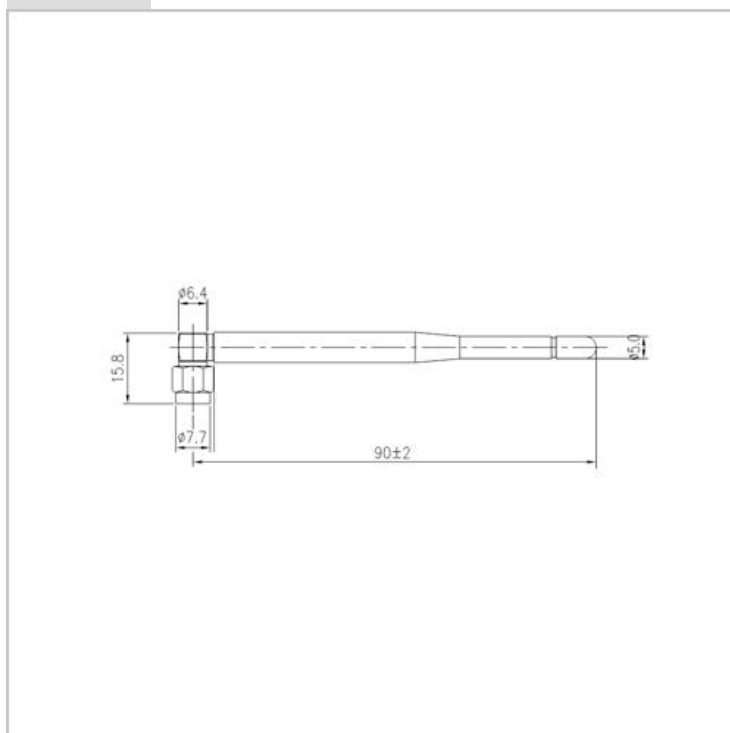
#### ◆Mechanical

Item	Specification
Dimensions	90±2mm
Connector Type	SMA-Male Type
Mount Type	Right Angle Type
Operating Temp	-30° ~ +60° C

### 製品写真



### 寸法図



## 014677 Wireless LAN Antennas - Dipole Antennas - HA-2400D-CSMA -

### 仕様

#### ◆Electrical Specifications

Item	Specification
Frequency Range	2400~2480MHz
Gain	2 dBi
V.S.W.R(Max.)	Less than 2
Impedance	50 Ω
Polarization	Vertical
Power Input(max.)	5W

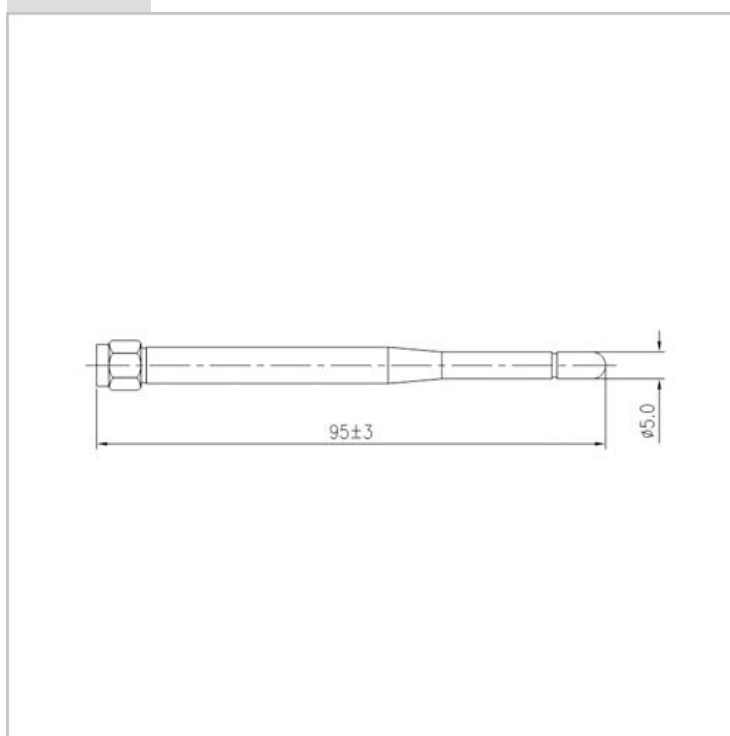
#### ◆Mechanical

Item	Specification
Dimensions	95±3mm
Connector Type	SMA-Male Type
Mount Type	S/T- Type
Operating Temp	-30° ~ +60° C

### 製品写真



### 寸法図



## 014678 Wireless LAN Antennas - Dipole Antennas - HA-2400D-V(SMA) -

### 仕様

#### ◆Electrical Specifications

Item	Specification
Frequency Range	2400~2480MHz
Gain	2 dBi
V.S.W.R(Max.)	Less than 2
Impedance	50 Ω
Polarization	Vertical
Power Input(max.)	5W

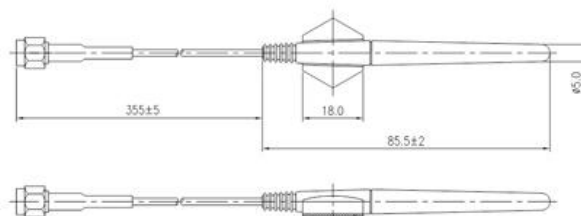
#### ◆Mechanical

Item	Specification
Dimensions	85±3mm
Connector Type	SMA-Male
Mount Type	Velcro Type
Operating Temp	-30° ~ +60° C

### 製品写真



### 寸法図



## 014679 Wireless LAN Antennas - Dipole Antennas - TB-2400 -

### 仕様

#### ◆ Electrical Specifications

Item	Specification
Frequency Range	2400~2480MHz
Gain	2 dBi
V.S.W.R(Max.)	Less than 2
Impedance	50 Ω
Polarization	Vertical
Power Input(max.)	5W

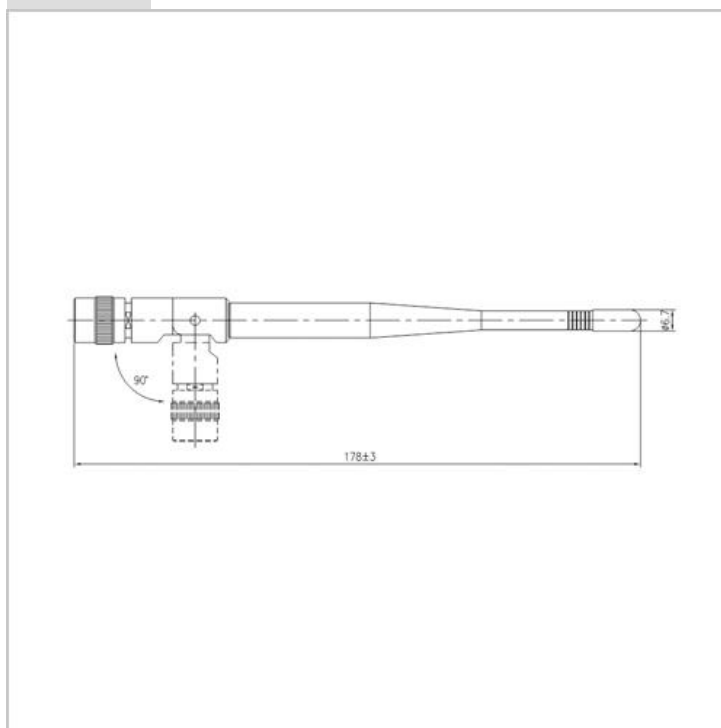
#### ◆ Mechanical

Item	Specification
Dimensions	178±3mm
Connector Type	TNC-Male Type
Mount Type	Tilt Mount Type
Operating Temp	-30° ~ +60° C

### 製品写真



### 寸法図



## 014680 Wireless LAN Antennas - Dipole Antennas - TB-2400/5000 -

### 仕様

#### ◆Electrical Specifications

Item	Specification
Frequency Range	2400~25000MHz 5150~5350MHz, 5700~5850MHz
Gain	2 dBi
V.S.W.R(Max.)	Less than 2
Impedance	50 Ω
Polarization	Vertical
Power Input(max.)	5W

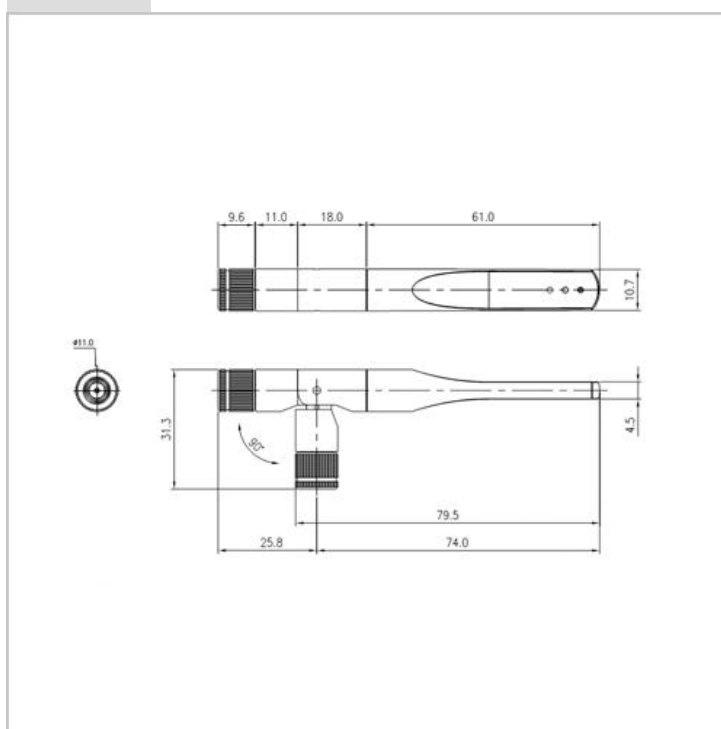
#### ◆Mechanical

Item	Specification
Dimensions	100mm×11 Ø Ant. Only
Weight	15g
Connector Type	SMA-Type male
Mount type	Tilt Mount
Operating Temp	-30° ~ +60° C

### 製品写真



### 寸法図



## 014681 Wireless LAN Antennas - Dipole Antennas - TB-2400D-WI-FI -

### 仕様

#### ◆ Electrical Specifications

Item	Specification
Frequency Range	2400~2480MHz
Gain	2 dBi
V.S.W.R(Max.)	Less than 2
Impedance	50 Ω
Polarization	Vertical
Power Input(max.)	5W

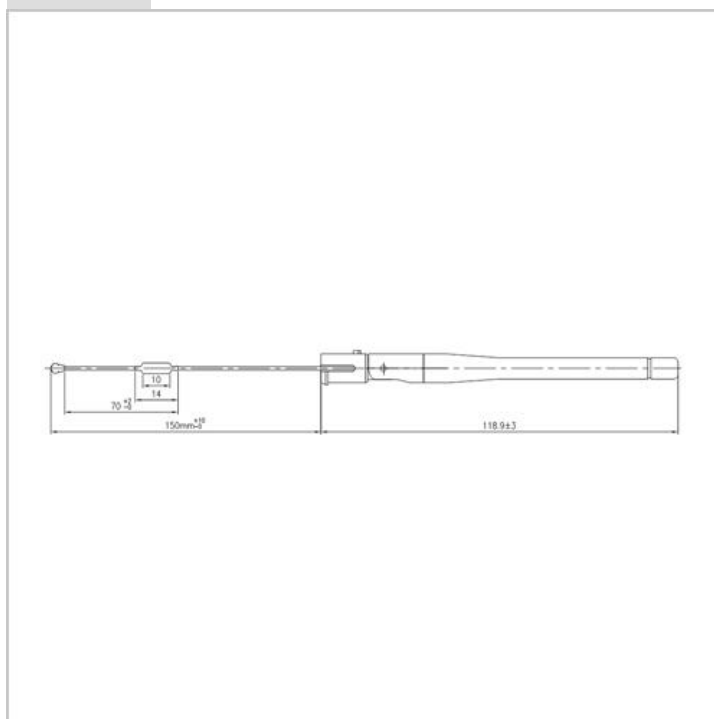
#### ◆ Mechanical

Item	Specification
Dimensions	119±3mm
Connector Type	U-FL Connector Type
Mount Type	Tilt Mount Type
Operating Temp	-30° ~ +60° C

### 製品写真



### 寸法図



## 014682 Wireless LAN Antennas - Dipole Antennas - TB-3000 -

### 仕様

#### ◆ Electrical Specifications

Item	Specification
Frequency Range	3400~37000MHz
Gain	2 dBi
V.S.W.R(Max.)	Less than 2
Impedance	50 Ω
Polarization	Vertical
Power Input(max.)	5W

#### ◆ Mechanical

Item	Specification
Dimensions	100mm×11∅ Ant. Only
Weight	15g
Connector Type	SMA-Type male
Mount type	Tilt Mount
Operating Temp	-30° ~ +60° C

### 製品写真



### 寸法図

