

014689

Wireless LAN Antennas - Patch Antennas - HIF-2400 -

仕様

◆ Electrical Specifications

Item	Specification
Frequency Range	2.4-2.5 GHz
Gain	8.5 dBi
Front To Back Ratio	15 dB
3dB BeamWidth	Azimuth : 70° Elevation : 55°
V.S.W.R(Max.)	Less than 1.5
Impedance	50 Ω
Polarization	Vertical
Power Input(max.)	50 W

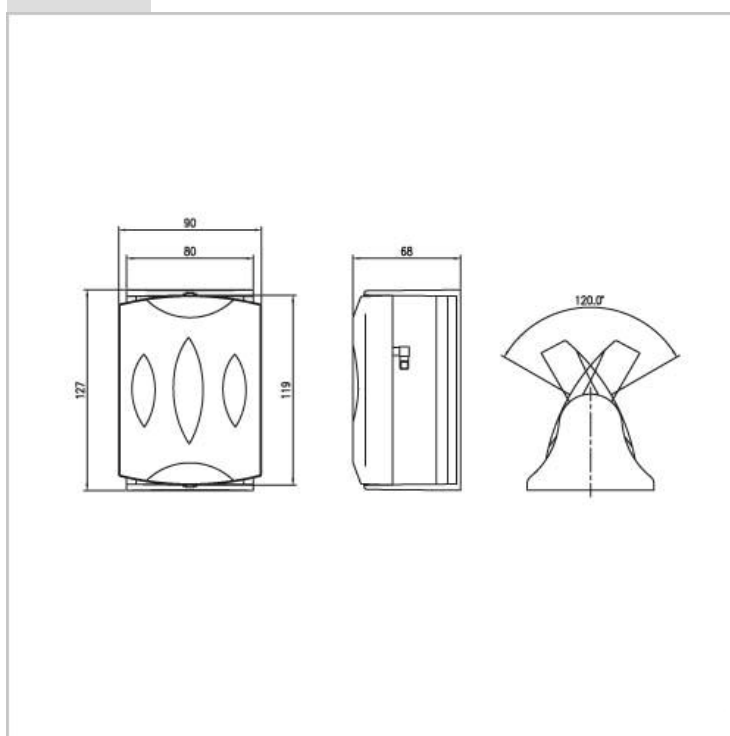
◆ Mechanical

Item	Specification
Dimensions (W×H×D)	90 × 127 × 68 mm
Weight	160 g(only ANT.)
	240 g(With individual box)
Connector	SMA Female R/A
Mount type	Wall mount
Articulation angle	-60° ~ +60°

製品写真



寸法図



014690 Wireless LAN Antennas - Patch Antennas - HSP-2400/5000 -

仕様

◆Electrical Specifications

Item	Specification	
Frequency Range	2400-2483MHz	5150-5850MHz
Gain	7dBi	6.5dBi
Front To Back Ratio	15dB	15dB
3dB BeamWidth	60° ± 20° (E-Plane,HPlane)	50° ± 20° (E-Plane,HPlane)
V.S.WR(Max.)	Less than 2.0	
Impedance	50 (Nominal)	
Polarization	Vertical	
Power Input(max.)	50 W	

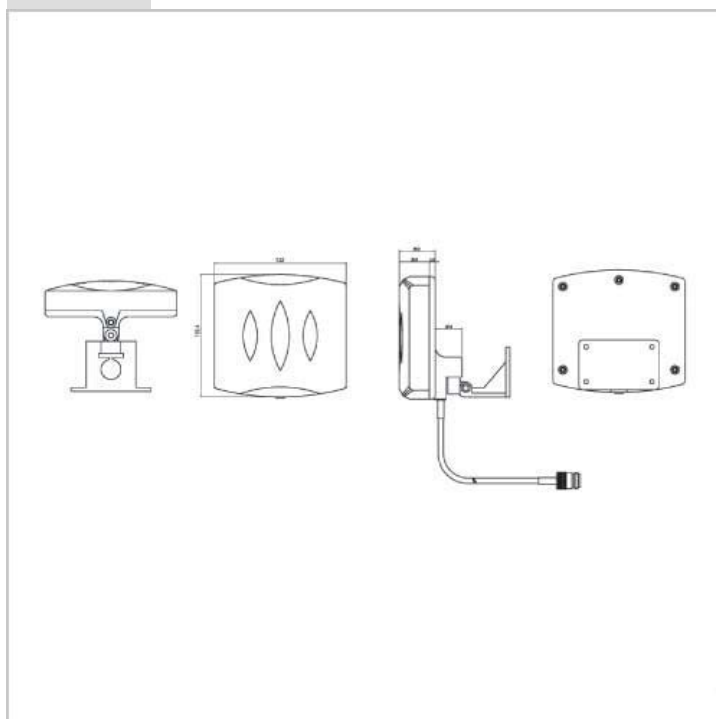
◆Mechanical

Item	Specification
Dimensions	W: 132mm L: 122.4mm D: 36mm
Weight	286g
Connector Type	N-Type Female
Mount type	Wall Mount
Operating Temperature	-30° ~ +60° C

製品写真



寸法図



014691 Wireless LAN Antennas - Patch Antennas - HSP-2400/5000 -

仕様

◆Electrical Specifications

Item	Specification	
Frequency Range	2400-2483MHz	5150-5850MHz
Gain	7dBi	6.5dBi
Front To Back Ratio	15dB	15dB
3dB BeamWidth	60° ± 20° (E-Plane,HPlane)	50° ± 20° (E-Plane,HPlane)
V.S.WR(Max.)	Less than 2.0	
Impedance	50 (Nominal)	
Polarization	Vertical	
Power Input(max.)	50 W	

◆Mechanical

Item	Specification
Dimensions	W: 132mm L: 122.4mm D: 36mm
Weight	286g
Connector Type	N-Type Female
Mount type	Wall Mount
Operating Temperature	-30° ~ +60° C

製品写真



寸法図

