

014698 Wireless Local Loop Antennas - Dipole Antennas - RB2-900D-MMCX -

仕様

◆Electrical Specifications

| Item | Specification |
|-------------------|---------------|
| Frequency Range | 890~960MHz |
| Gain | 2 dBi |
| V.S.W.R(Max.) | Less than 2 |
| Impedance | 50 Ω |
| Polarization | Vertical |
| Power Input(max.) | 5W |

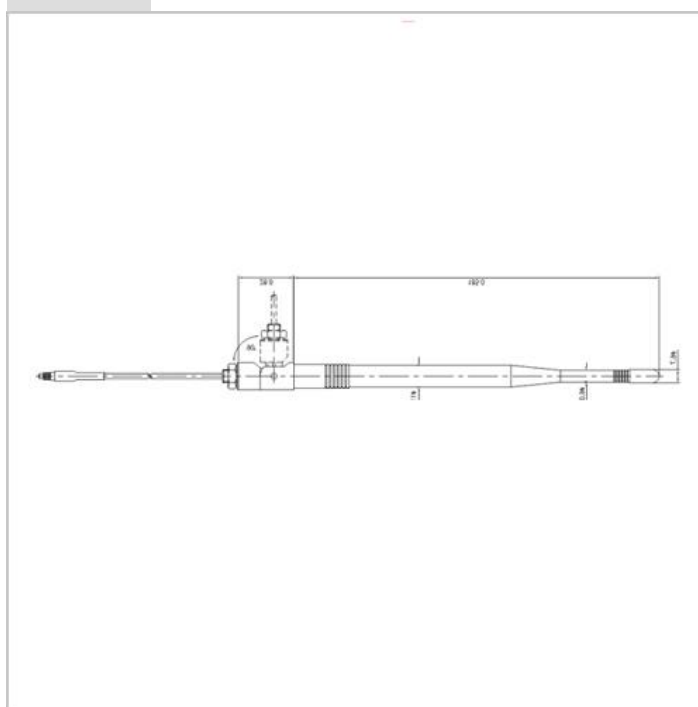
◆Mechanical

| Item | Specification |
|----------------|---------------------|
| Dimensions | 215±3mm |
| Connector Type | MMCX Connector Type |
| Mount Type | Tilt Mount Type |
| Operating Temp | -30° ~ +60° C |

製品写真



寸法図



0146099 Wireless Local Loop Antennas - Dipole Antennas - TB4-450D-T -

仕様

◆Electrical Specifications

| Item | Specification |
|-------------------|----------------|
| Frequency Range | 452.5~467.5MHz |
| Gain | 2 dBi |
| V.S.W.R(Max.) | Less than 2 |
| Impedance | 50 Ω |
| Polarization | Vertical |
| Power Input(max.) | 5W |

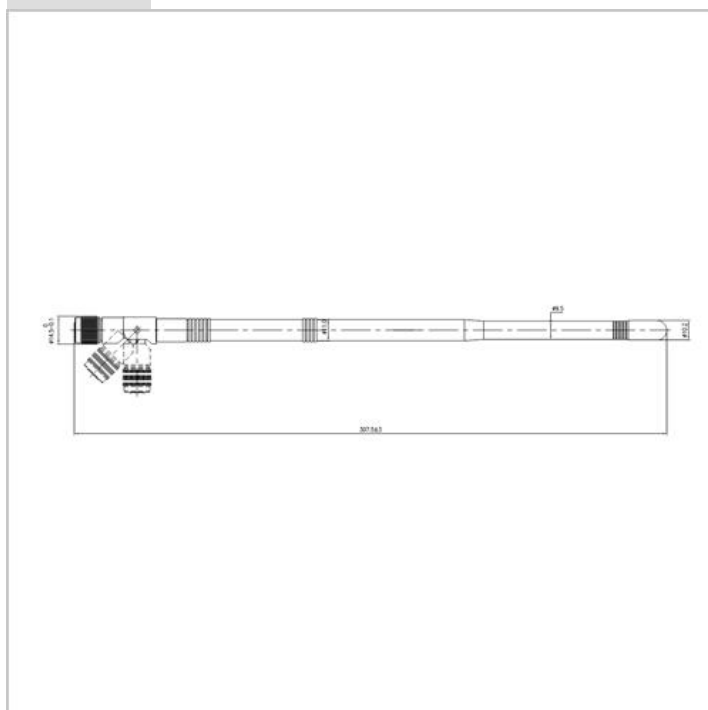
◆Mechanical

| Item | Specification |
|----------------|-----------------|
| Dimensions | 307±3mm |
| Connector Type | TNC-Male |
| Mount Type | Tilt Mount type |
| Operating Temp | -30° ~ +60° C |

製品写真



寸法図



0146100 Wireless Local Loop Antennas - Dipole Antennas - TB-450RA-T1 -

仕様

◆Electrical Specifications

| Item | Specification |
|-------------------|----------------|
| Frequency Range | 452.5~467.5MHz |
| Gain | 2 dBi |
| V.S.W.R(Max.) | Less than 2 |
| Impedance | 50 Ω |
| Polarization | Vertical |
| Power Input(max.) | 5W |

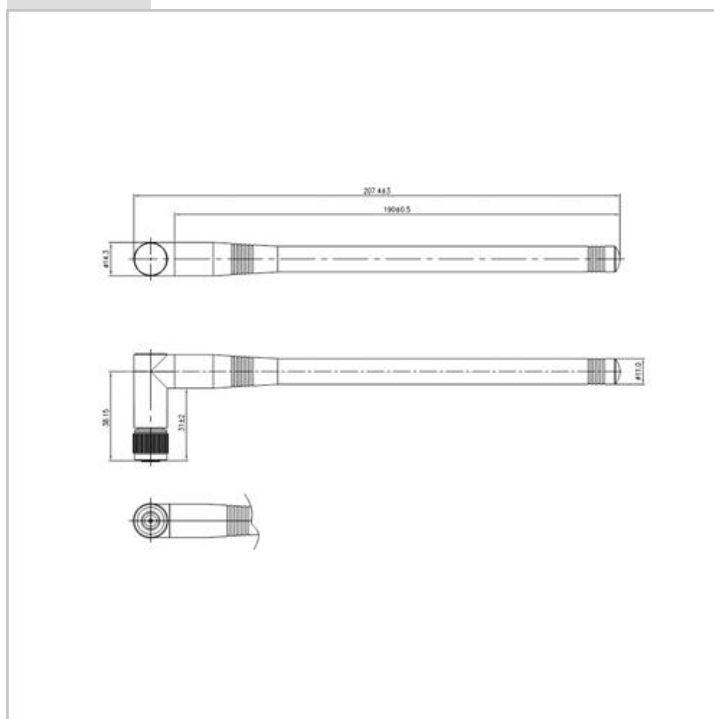
◆Mechanical

| Item | Specification |
|----------------|------------------------|
| Dimensions | 207±3mm |
| Connector Type | TNC-Male |
| Mount Type | Right Angle Mount type |
| Operating Temp | -30° ~ +60° C |

製品写真



寸法図



0146101 Wireless Local Loop Antennas - Dipole Antennas - TB800 -

仕様

◆Electrical Specifications

| Item | Specification |
|-------------------|---------------|
| Frequency Range | 824~894MHz |
| Gain | 2 dBi |
| V.S.W.R(Max.) | Less than 2 |
| Impedance | 50 Ω |
| Polarization | Vertical |
| Power Input(max.) | 5W |

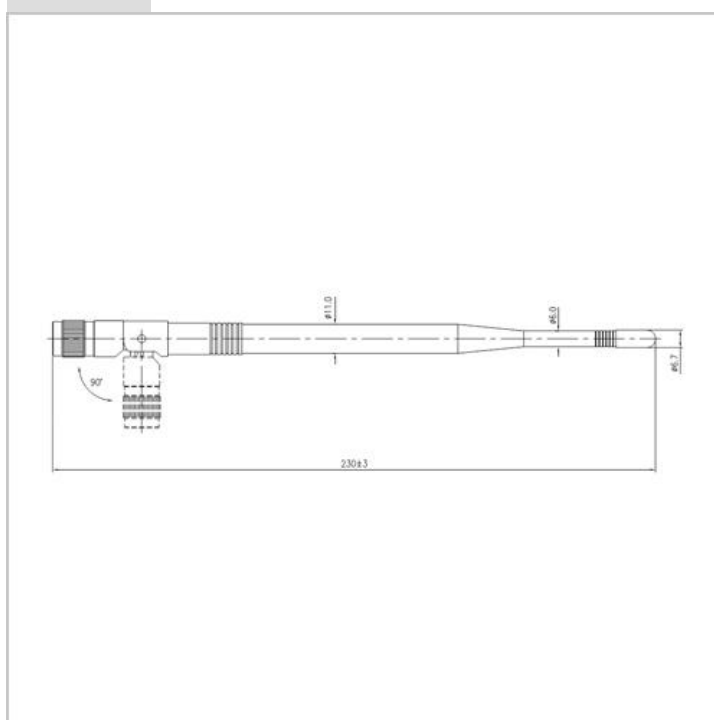
◆Mechanical

| Item | Specification |
|----------------|-----------------|
| Dimensions | 230±3mm |
| Connector Type | TNC-Male Type |
| Mount Type | Tilt Mount Type |
| Operating Temp | -30° ~ +60° C |

製品写真



寸法図



0146102 Wireless Local Loop Antennas - Dipole Antennas - TB800/1900 -

仕様

◆Electrical Specifications

| Item | Specification |
|-------------------|----------------------------|
| Frequency Range | 824~894MHz 1850~1990MHz |
| Gain | 2 dBi |
| V.S.W.R(Max.) | Less than 2 |
| Impedance | 50 Ω |
| Polarization | Vertical |
| Power Input(max.) | 5W |

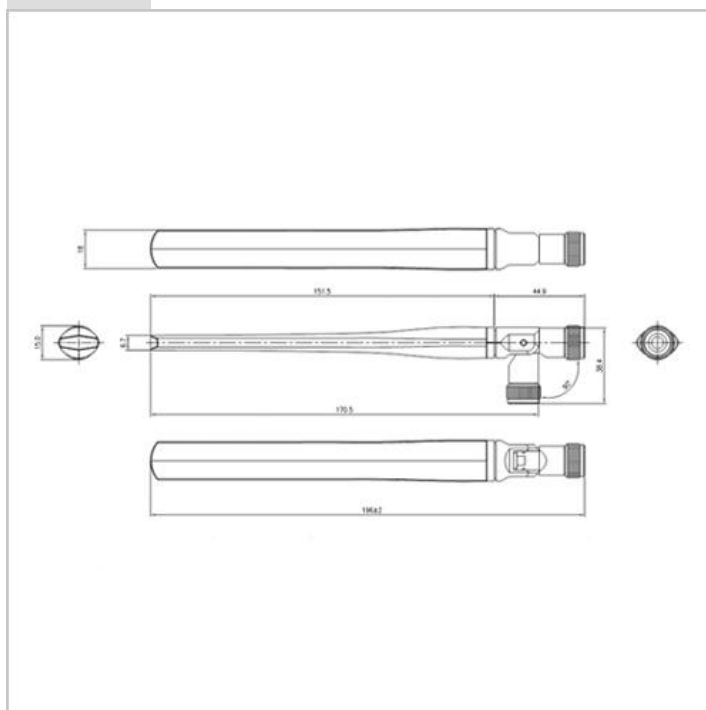
◆Mechanical

| Item | Specification |
|----------------|----------------------|
| Dimensions | 196mm×18×15Ant. Only |
| Weight | 34g |
| Connector Type | TNC-Type male |
| Mount Type | Tilt Mount |
| Operating Temp | -30° ~ +60° C |

製品写真



寸法図



0146103 Wireless Local Loop Antennas - Dipole Antennas - TB900/1800 -

仕様

◆Electrical Specifications

| Item | Specification |
|-------------------|----------------------------|
| Frequency Range | 890~960MHz 1710~1880MHz |
| Gain | 2 dBi |
| V.S.W.R(Max.) | Less than 2 |
| Impedance | 50 Ω |
| Polarization | Vertical |
| Power Input(max.) | 5W |

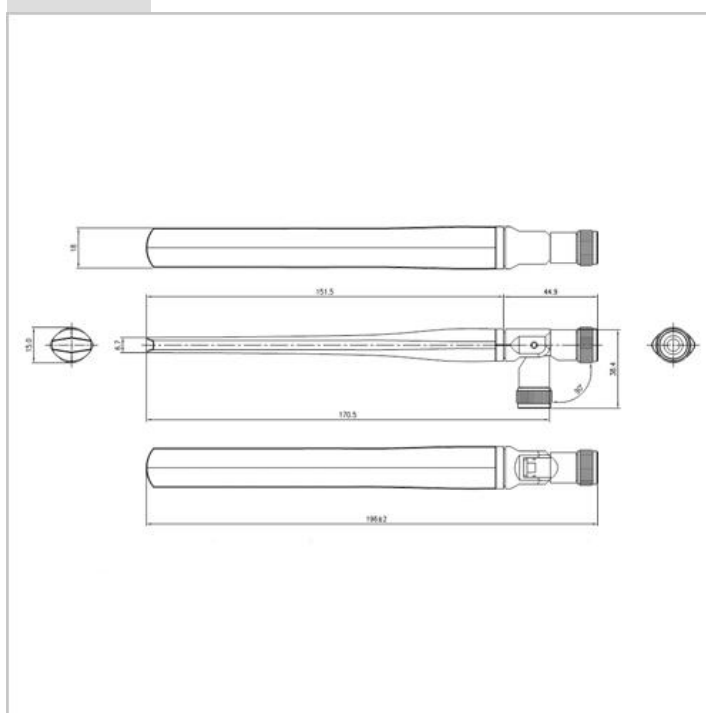
◆Mechanical

| Item | Specification |
|----------------|-----------------------|
| Dimensions | 196mm×18×15 Ant. Only |
| Weight | 34g |
| Connector Type | TNC-Type male |
| Mount Type | Tilt Mount |
| Operating Temp | -30° ~ +60° C |

製品写真



寸法図



0146104 Wireless Local Loop Antennas - Dipole Antennas - TB1900 -

仕様

◆Electrical Specifications

| Item | Specification |
|-------------------|---------------|
| Frequency Range | 1850~1990MHz |
| Gain | 2 dBi |
| V.S.W.R(Max.) | Less than 2 |
| Impedance | 50 Ω |
| Polarization | Vertical |
| Power Input(max.) | 5W |

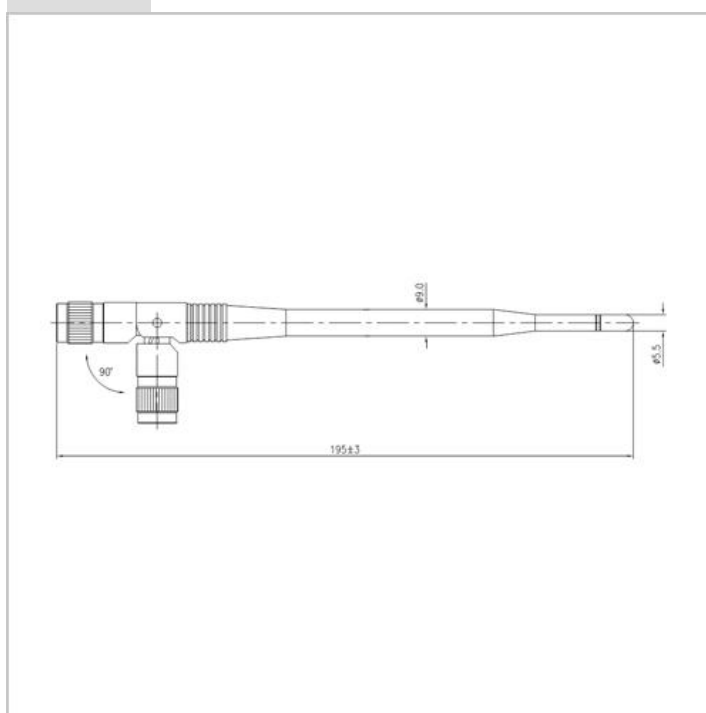
◆Mechanical

| Item | Specification |
|----------------|-----------------|
| Dimensions | 195±3mm |
| Connector Type | TNC-Male Type |
| Mount Type | Tilt Mount Type |
| Operating Temp | -30° ~ +60° C |

製品写真



寸法図



0146105 Wireless Local Loop Antennas - Dipole Antennas - TB-P450 -

仕様

◆Electrical Specifications

| Item | Specification |
|-------------------|---------------|
| Frequency Range | 824~894MHz |
| Gain | 2dBi |
| V.S.W.R(Max.) | Less than 2.0 |
| Impedance | 50 Ω |
| Polarization | Vertical |
| Power Input(max.) | 5W |

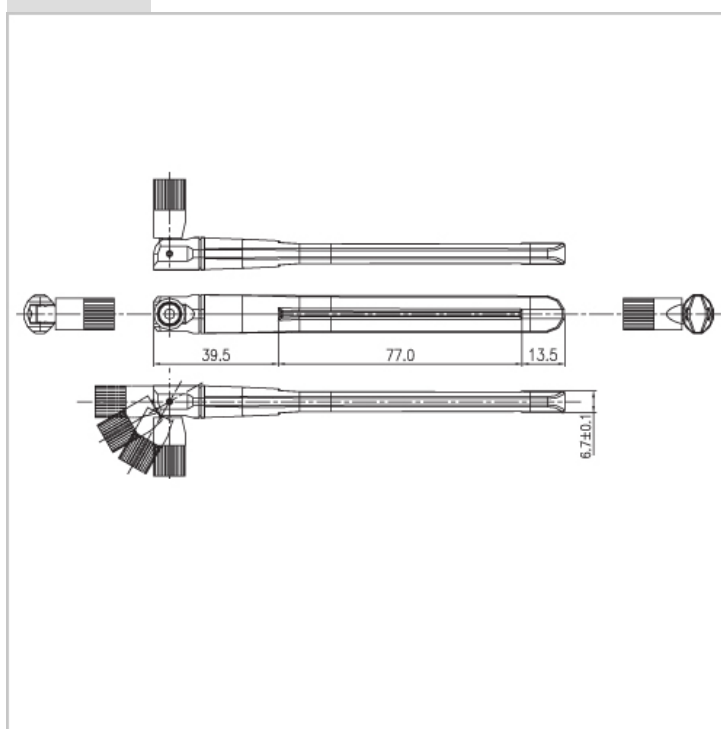
◆Mechanical

| Item | Specification |
|----------------|---------------|
| Dimensions | ∅12.3×148.5mm |
| Weight | 15g |
| Connector Type | SMA-Type male |
| Mount type | Tilt Mount |
| Operating Temp | -30° ~ +60° C |

製品写真



寸法図



0146106 Wireless Local Loop Antennas - Dipole Antennas - TB-P800 -

仕様

◆Electrical Specifications

| Item | Specification |
|-------------------|---------------|
| Frequency Range | 824~894MHz |
| Gain | 2dBi |
| V.S.W.R(Max.) | Less than 2.0 |
| Impedance | 50 Ω |
| Polarization | Vertical |
| Power Input(max.) | 5W |

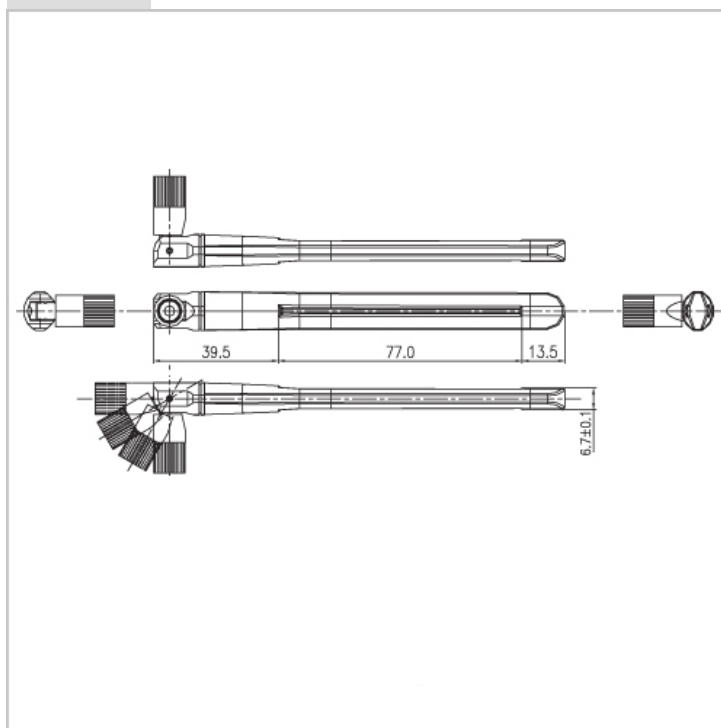
◆Mechanical

| Item | Specification |
|----------------|----------------|
| Dimensions | ∅ 12.3×148.5mm |
| Weight | 15g |
| Connector Type | SMA-Type male |
| Mount type | Tilt Mount |
| Operating Temp | -30° ~ +60° C |

製品写真



寸法図



0146107 Wireless Local Loop Antennas - Dipole Antennas - TB-P1900 -

仕様

◆Electrical Specifications

| Item | Specification |
|-------------------|---------------|
| Frequency Range | 1850~1990MHz |
| Gain | 2dBi |
| V.S.W.R(Max.) | Less than 2.0 |
| Impedance | 50 Ω |
| Polarization | Vertical |
| Power Input(max.) | 5W |

◆Mechanical

| Item | Specification |
|----------------|---------------|
| Dimensions | ∅12.3×148.5mm |
| Weight | 15g |
| Connector Type | SMA-Type male |
| Mount type | Tilt Mount |
| Operating Temp | -30° ~ +60° C |

製品写真



寸法図

