

550 Series

Frequency Meters



Features

- High Frequency Operation from 90.0 to 220 GHz
- Circular Waveguide Cavity for High-Q Resonances
- Micrometer Readout for Accurate Frequency Determination

Description 550 Series Frequency Meters

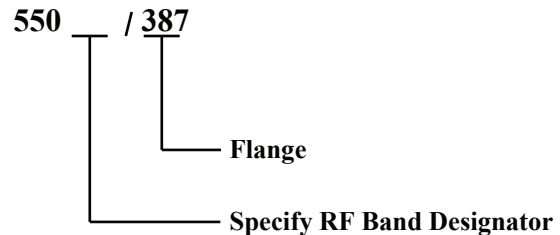
Mi-Wave's 550 series frequency meters are available in three standard waveguide sizes for operation over 90 to 220 GHz frequency range.

Each unit is supplied with a calibration table and curve. The calibration is performed by using the micrometer-driven plunger to measure the distance between electrical resonances for a known frequency. These distances are recorded for several frequencies and then plotted on a curve to allow extrapolation for all frequencies.

Applications

The 550 series frequency meters are reaction-type cavity wavemeters designed for the accurate determination of millimeter wave signal frequencies.

Ordering Information



Mi-Wave

Millimeter Wave Products Inc.

www.miwv.com

2200 Tall Pines Drive, Suite 100

Largo, FL 33771

Tel. (727) 536-0033 Fax. (727) 536-0012

E: sales@miwv.com

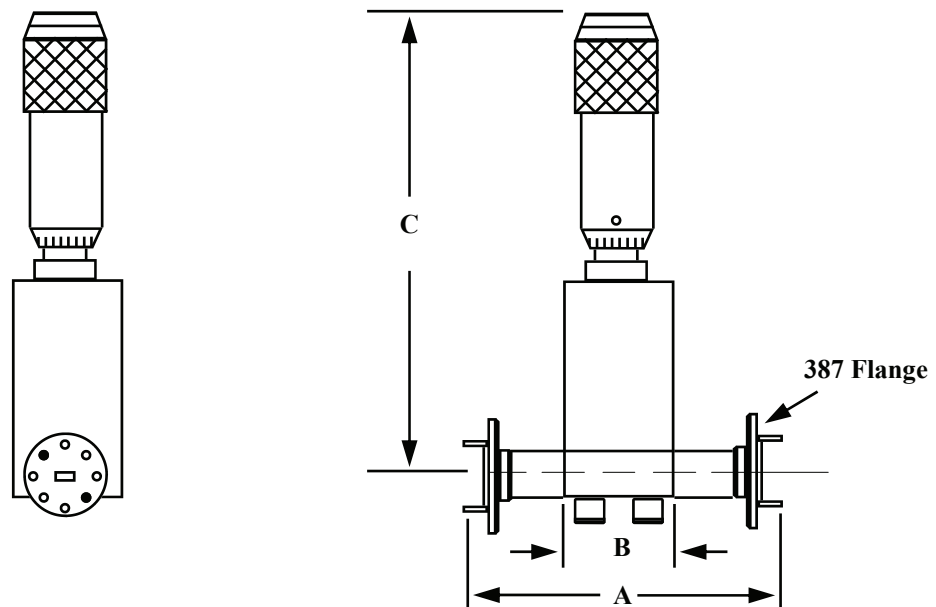
550 Series

Frequency Meters

Technical Specifications

Model Number	550F	550D	550G
Frequency Band (GHz)	90.0-140.0	110.0-170.0	140.0-220.0
Absolute Accuracy (%)	0.5	0.5	0.7
VSWR Max. ¹	1.20	1.20	1.20
Insertion Loss (dB) Typical	0.5	0.6	0.8
Dip at Resonance (dB)	0.3-1.0	0.3-1.0	0.3-1.0
Weight (oz)	3.0	2.5	2.5

1. Off Resonance.



Dimensional Specifications

Model Number	A		B		C	
	in	mm	in	mm	in	mm
550F	1.20	30.5	.50	12.7	2.50	63.5
550D	1.20	30.5	.50	12.7	2.50	63.5
550G	1.20	30.5	.50	12.7	2.50	63.5

Mi-Wave

Millimeter Wave Products, Inc.

www.miwv.com

Tel. (727) 536-0033 Fax. (727) 536-0012

E: sales@miwv.com