

014660 Telecommunication Repeater Antennas - Patch Antennas - HSP-800WB-L -

仕様

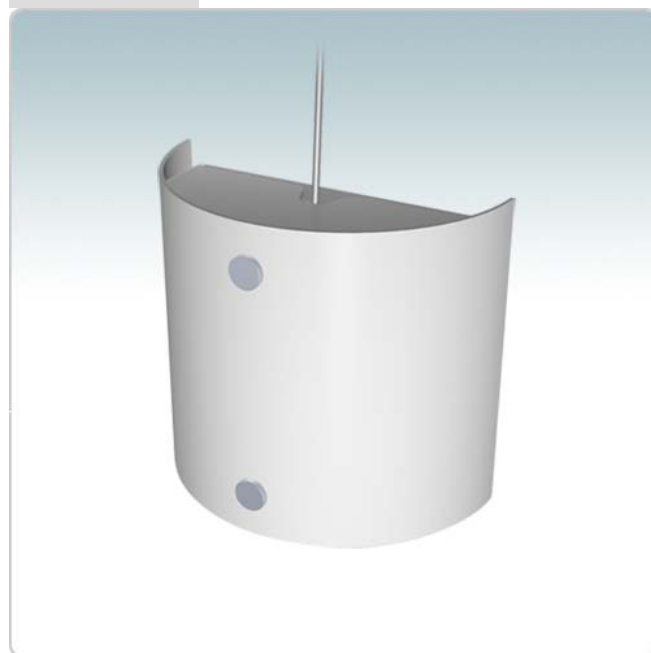
◆Electrical Specifications

Item	Specification
Frequency Range	824~894 MHz 1885~2655 MHz
Gain	6 dBi
3dB BeamWidth	50° ~ 90° (V-Pol, H-Pol)
V.S.WR(Max.)	Less than 1.8
Impedance	50 (Nominal)
Polarization	Vertical
Power Input(max.)	10 W

◆Mechanical Specifications

Item	Specification
Dimensions	260mm*240mm*105mm Ant. Only
Weight	0.9kg
Connector Type	SMA-Type Female
Mount type	Wall Mount
Operating Temperature	-30° ~ +60° C

製品写真



寸法図

