

## 014692 Wireless LAN Antennas - Yagi Antennas - HLP-2400/5000H -

### 仕様

#### ◆ Electrical Specifications

Item	Specification
Frequency Range	2400~2500MHz
	5150~5850MHz
Gain	11dBi: 2400~2500MHz
	12dBi:5150~5850MHz
Front To Back Ratio	12dB
3dB BeamWidth	40°±20°(Horizontal, H-Plane)
	35°±20°(Vertical, E-Plane)
V.S.W.R(Max.)	Less than 2.0
Impedance	50 Ω (Normal)
Polarization	Vertical
Power Input(max.)	10 W

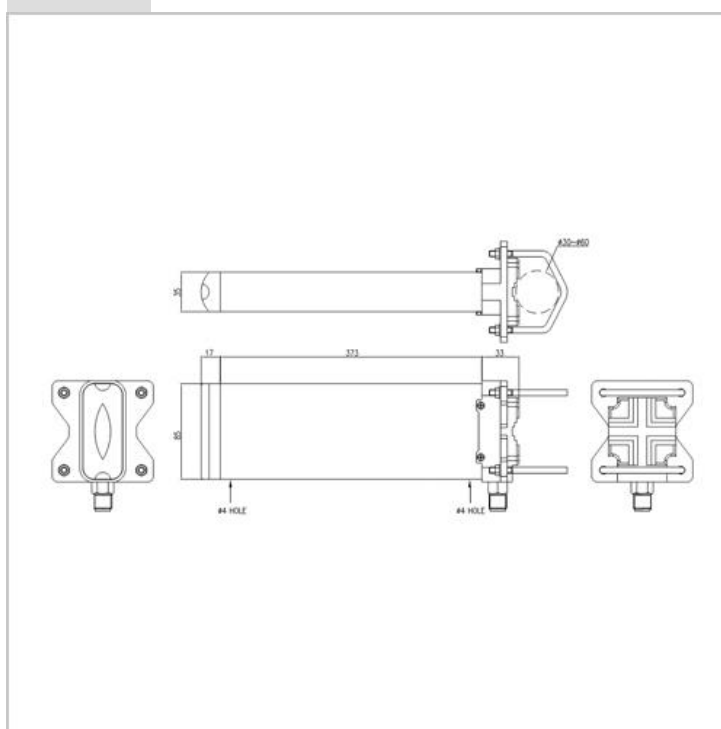
#### ◆ Mechanical

Item	Specification
Dimensions	W:100mm L:423mm D:116mm
Weight	550g Only Antenna
Connector Type	N-type Female
Mount type	Mast Mount(Dia. 30~60mm)
Operating Temperature	-30° ~ +60° C

### 製品写真



### 寸法図



## 014693 Wireless LAN Antennas - Yagi Antennas - HLP-2400/5000M -

### 仕様

#### ◆Electrical Specifications

Item	Specification
Frequency Range	2400-2500MHz
	5150-5850MHz
Gain	8dBi: 2400-2500MHz
	9dBi:5150-5850MHz
Front To Back Ratio	12dB
3dB BeamWidth	45°±20°(Horizontal, H-Plane)
	45°±20°(Vertical, E-Plane)
V.S.W.R(Max.)	Less than 2.0
Impedance	50 Ω (Normal)
Polarization	Vertical
Power Input(max.)	10 W

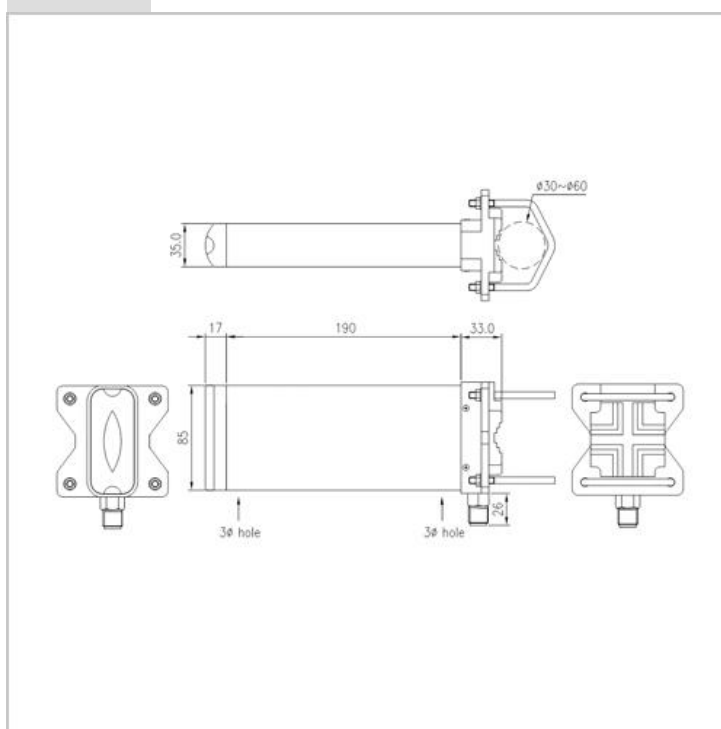
#### ◆Mechanical

Item	Specification
Dimensions	W:100mm L:233mm D:116mm
Weight	550g Only Antenna
Connector Type	N-type Female
Mount type	Mast Mount(Dia. 30-60mm)
Operating Temperature	-30° - +60° C

### 製品写真



### 寸法図



# 014694 Wireless LAN Antennas - Yagi Antennas - RY5-2450 -

## 仕様

### ◆ Electrical Specifications

Item	Specification
Frequency Range	2.4~2.483GHz
Gain	8dBi
3dB BeamWidth	Azimuth : 72° Elevation : 56
V.S.WR(Max.)	Less than 1.7
Impedance	50 Ω (Nominal)
Polarization	Linear
Power Input(max.)	10W

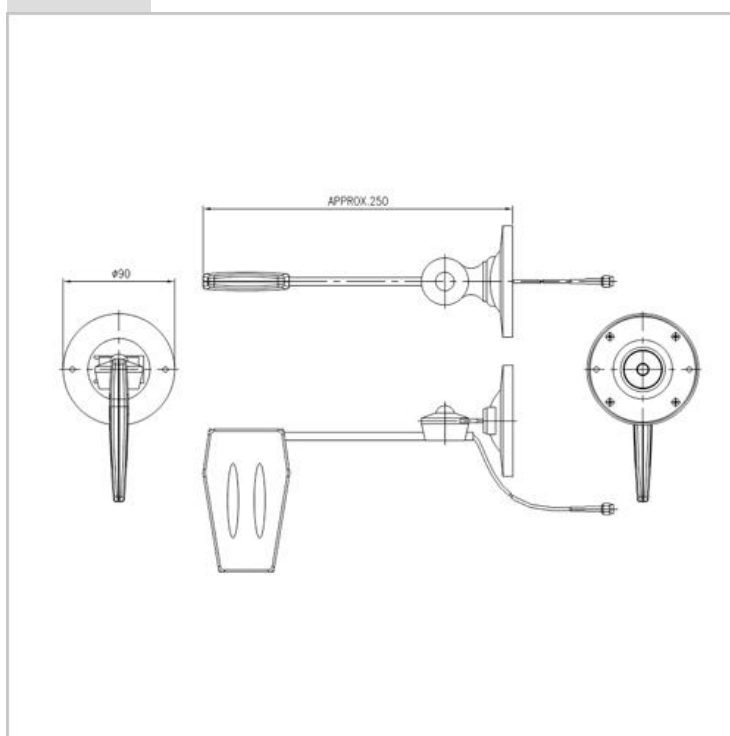
### ◆ Mechanical

Item	Specification
Dimensions	Dia 90 mm, Length 250mm
Color	Light Gray
Weight	330g(With Box, Installation kit)
Connector Type	MMCX R/A(optional)
Mount type	Stand / Wall / Ceiling
Operating Temperature	-30° ~ +60° C

## 製品写真



## 寸法図



## 014695 Wireless LAN Antennas - Yagi Antennas - RY8-2400 -

### 仕様

#### ◆ Electrical Specifications

Item	Specification
Frequency Range	2400~2500MHz
Gain	10dBi
Front To Back Ratio	12dB
3dB BeamWidth	50°±5°(Horizontal, H-Plane) 45°±5°(Vertical, E-Plane)
V.S.W.R(Max.)	Less than 1.5
Impedance	50 Ω(Normal)
Polarization	Vertical
Power Input(max.)	10 W

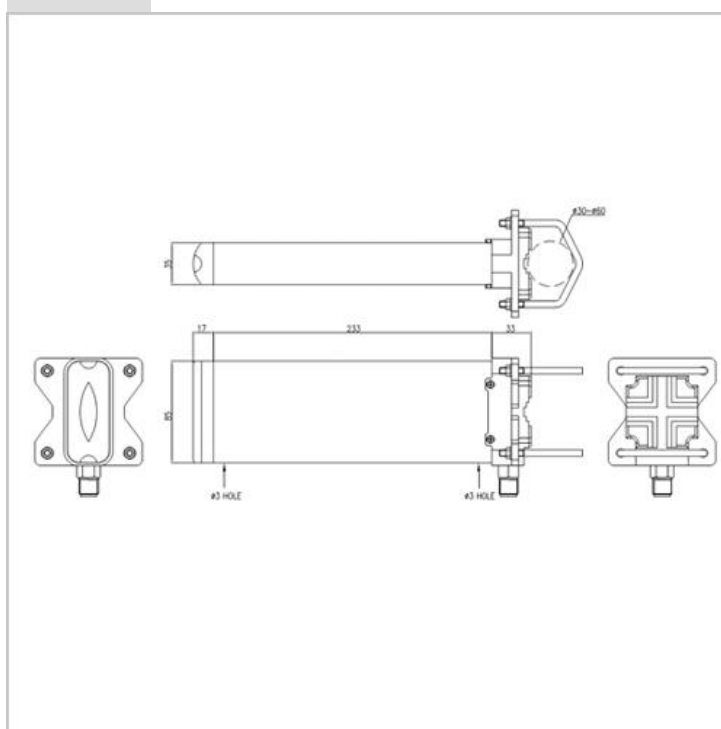
#### ◆ Mechanical

Item	Specification
Dimensions	W:100mm L:284mm D:116mm
Weight	540g
Connector Type	N-type male
Mount type	Mast Mount(Dia. 30~60mm)
Operating Temperature	-30° ~ +60° C

### 製品写真



### 寸法図



## 014696 Wireless LAN Antennas - Yagi Antennas - RY12-2400 -

### 仕様

#### ◆ Electrical Specifications

Item	Specification
Frequency Range	2400~2500MHz
Gain	13dBi
Front To Back Ratio	14dB
3dB Beam Width	35°±10° (Horizontal, H-Plane) 35°±10° (Vertical, E-Plane)
V.S.W.R(Max.)	Less than 1.5
Impedance	50 Ω (Nominal)
Polarization	Vertical
Power Input(max.)	10 W

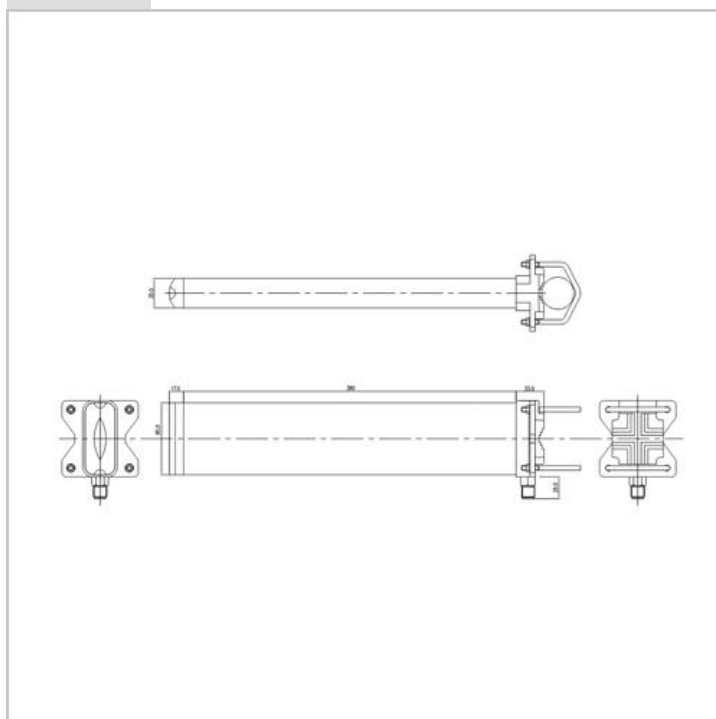
#### ◆ Mechanical

Item	Specification
Dimensions	W:100mm L:428 D:116mm
Weight	700g
Connector Type	N-Type Female
Mount type	Mast Mount(Dia. 30~60mm)
Operating Temperature	-30° ~ +60° C

### 製品写真



### 寸法図



## 014697 Wireless LAN Antennas - Yagi Antennas - RY14-2400 -

### 仕様

#### ◆Electrical Specifications

Item	Specification
Frequency Range	2400~2500MHz
Gain	14.5dBi
Front To Back Ratio	14dB
3dB BeamWidth	30°±5° (Horizontal, H-Plane) 30°±5° (Vertical, E-Plane)
V.S.W.R(Max.)	Less than 1.5
Impedance	50 Ω (Nominal)
Polarization	Vertical
Power Input(max.)	10 W

#### ◆Mechanical

Item	Specification
Dimensions	W:100mm L:483 D:116mm
Weight	700g
Connector Type	N-Type Female
Mount type	Mast Mount(Dia. 30~60mm)
Operating Temperature	-30° ~ +60° C

### 製品写真



### 寸法図

